



MARINE

ILLUSTRATED

PARTS MANUAL

MODEL 5.7L Carburetor

Classic Series

1999 - 2005 MY

This Page Was
Intentially
Left Blank

Contents:

Symbols	2
Maintenance Item Part Numbers	3
Cylinder Block Assembly - Figure 1	4
Oil Pan and Oil Pump Assembly - Figure 2	8
Cylinder Head Assembly - Figure 3	10
Intake Manifold Assembly (Thru '03) - Figure 4	12
Intake Manifold Assembly ('04) - Figure 5	14
Carburetor Assembly - Figure 6	16
Fuel Pump and Fuel System - Figure 7	18
Remote Oil Filter Components (Thru '03) - Figure 8	20
Remote Oil Filter Components ('04) - Figure 9	22
Ignition Components (Thru '03) - Figure 10	24
Ignition Components ('04) - Figure 11	26
Alternator Assembly (Mando) (Thru '03) - Figure 12	28
Starter Assembly Components - Figure 13	30
Wiring Harness Assemblies and Senders - Figure 14	32
Exhaust Manifold and Components - Figure 15	34
Accessory Drive System Components (Thru '03) - Figure 16	36
Accessory Drive System Components (Serpentine) ('04) - Figure 17	40
Accessory Drive System Components (Serpentine) ('04) - Figure 18	42
Raw Water Cooling System Components (Thru '03) - Figure 19	46
Raw Water Cooling Pump (Belt-Driven) (Thru '03) - Figure 20	48
Raw Water Cooling Pump (Serpentine) ('04) - Figure 21	50
Fresh Water Cooling System Components (Thru '03) - Figure 22	52
Fresh Water Cooling System Components ('04) - Figure 23	56
Heat Exchanger and Components (Thru '03) - Figure 24	60
Heat Exchanger and Components ('04) - Figure 25	62
Engine and Transmission Mounts - Figure 26	64
Bellhousing Assembly - Figure 27	66
Transmission and Related Parts (Thru '03) (Velvet Drive In-Line) - Figure 28	68
Transmission and Related Parts ('04) (Velvet Drive In-Line) - Figure 29	70
Transmission and Related Parts (Thru '03) (Velvet Drive "V"-Drive) - Figure 30	72
Transmission and Related Parts ('04) (Velvet Drive "V"-Drive) - Figure 31	74
Transmission and Related Parts (Thru '03) (Velvet Drive 5000) - Figure 32	76
Transmission and Related Parts ('04) (Velvet Drive 5000) - Figure 33	78
Transmission and Related Parts (Thru '03) (Hurth Gear) - Figure 34	80
Transmission and Related Parts ('04) (Hurth Gear) - Figure 35	82
Right Hand Rotation Engine Components - Figure 36	86

HOW TO READ THIS PARTS BOOK:

ITEM	PART NUMBER	DESCRIPTION	QUANTITY
1	RB001005I	Base Engine Assembly, 5.7L	1

①

②

③

④

- ① ITEM NUMBER - This number corresponds with the number in the exploded view on the facing page.
- ② PART NUMBER - This is the designated part number for the particular component or assembly.
- ③ DESCRIPTION - This identifies what the component or assembly is.
- ④ QUANTITY - This refers to the number of pieces used.

Symbols shown throughout parts list are defined here or on the bottom of the individual parts list page.

- AR = As Required
- OPT = Optional
- NSS = Not Serviced Separately
- NA = Not Available
- SS = Single Station Control
- DS = Dual Station Control
- OS = Oversize
- US = Undersize
- TBD = To Be Determined
- NI = Not Illustrated

“TYPICAL VIEWS ARE SHOWN”

ENGINE ROTATION

Engine Rotation is identified as “RH” or “LH” with the engine model number. Rotation always is determined from the flywheel end looking toward the front of the engine. In some instances, propeller shaft rotation may be opposite to that of the engine.

When ordering a replacement engine, production block or parts for the engine, be certain to check engine rotation. **DO NOT rely on propeller rotation in order to determine engine rotation.**

LEFT-HAND ROTATION is STANDARD ROTATION.

(Flywheel turns counterclockwise when viewed from flywheel end of the engine.)

RIGHT-HAND ROTATION is OPPOSITE ROTATION.

(Flywheel turns clockwise when viewed from flywheel end of the engine.)

REPLACEMENT PARTS:



WARNING:

Electrical, ignition and fuel system components on Crusader Engines are designed and manufactured to comply with U.S. Coast Guard rules and regulations to minimize risks of fire or explosion.

Use of replacement electrical, ignition and fuel system components which do not comply with these rules and regulations could result in a fire or explosion hazard and should be avoided.

MAINTENANCE ITEM PART NUMBERS:

Description	Part Number
Oil Filter	22679
Kit, Transmission Oil Filter (ZF)	RP077011
Spark Plugs	RP030010
Spark Plug Wire Set	97454
Alternator Drive Belt (Thru '03)	96307
Raw Water Pump Drive Belt (Thru '03)	97178
Serpentine Drive Belt ('04) (LH)	R066028
Serpentine Drive Belt ('04) (RH)	R066029
Impeller Kit (Belt or Crank Driven Raw Water Pump)	RP061017
Impeller Kit (Serpentine Raw Water Pump)	RP061022
Thermostat (Raw Water Cooling)	R026002
Thermostat (Fresh Water Cooling)	R026007

CHANGE NOTICE:

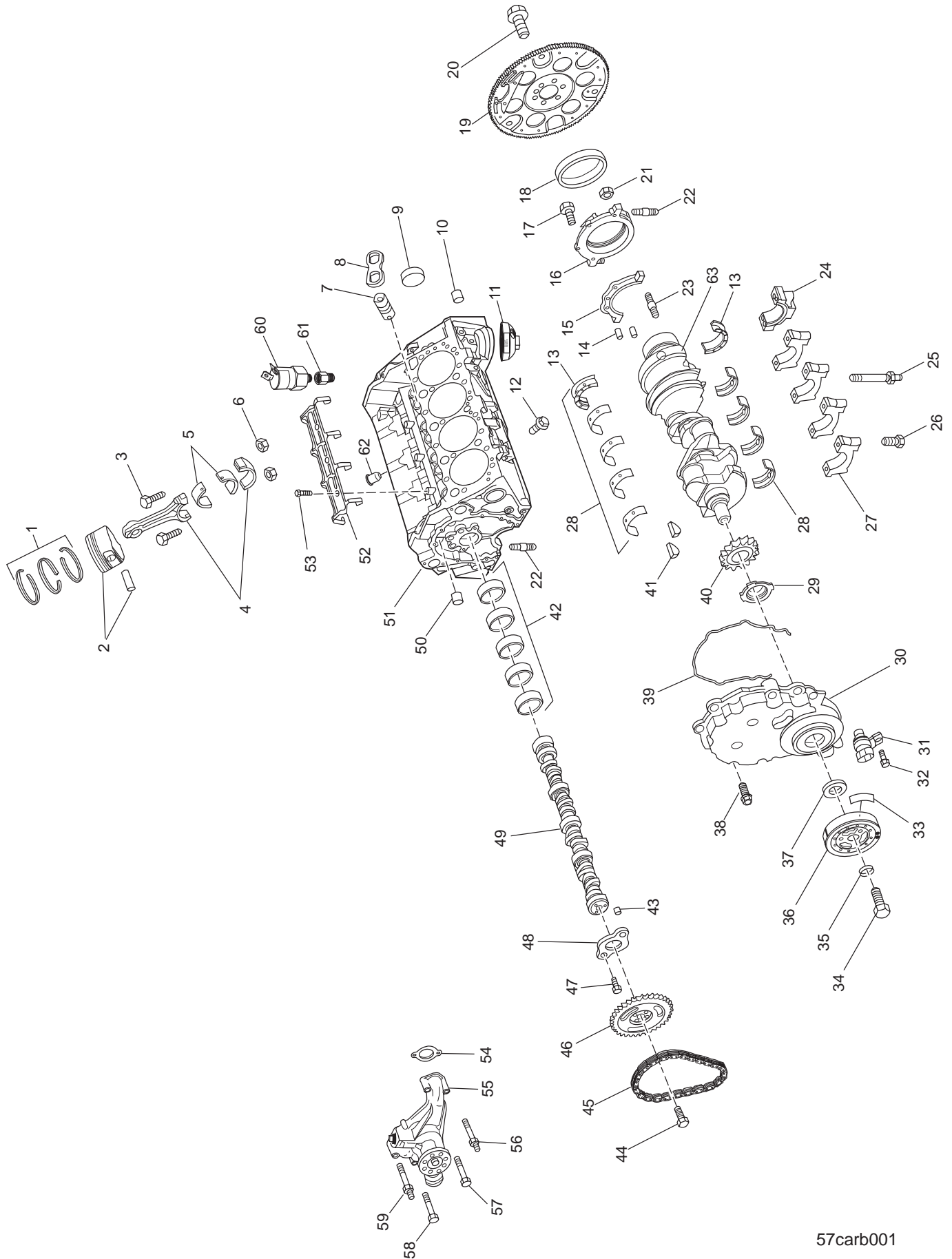
Change Pages	Date Updated
revised	01/07
50-51, 67	06/07

MARINE TRANSMISSIONS:

Crusader Engines are equipped with Velvet Drive or Hurth Transmissions, or "V"-drives. If transmission parts are required, contact your dealer or closest Crusader Parts Distributor for required parts.

Parts manuals and overhaul manuals are available through Crusader Distributors.

CYLINDER BLOCK ASSEMBLY - FIGURE 1

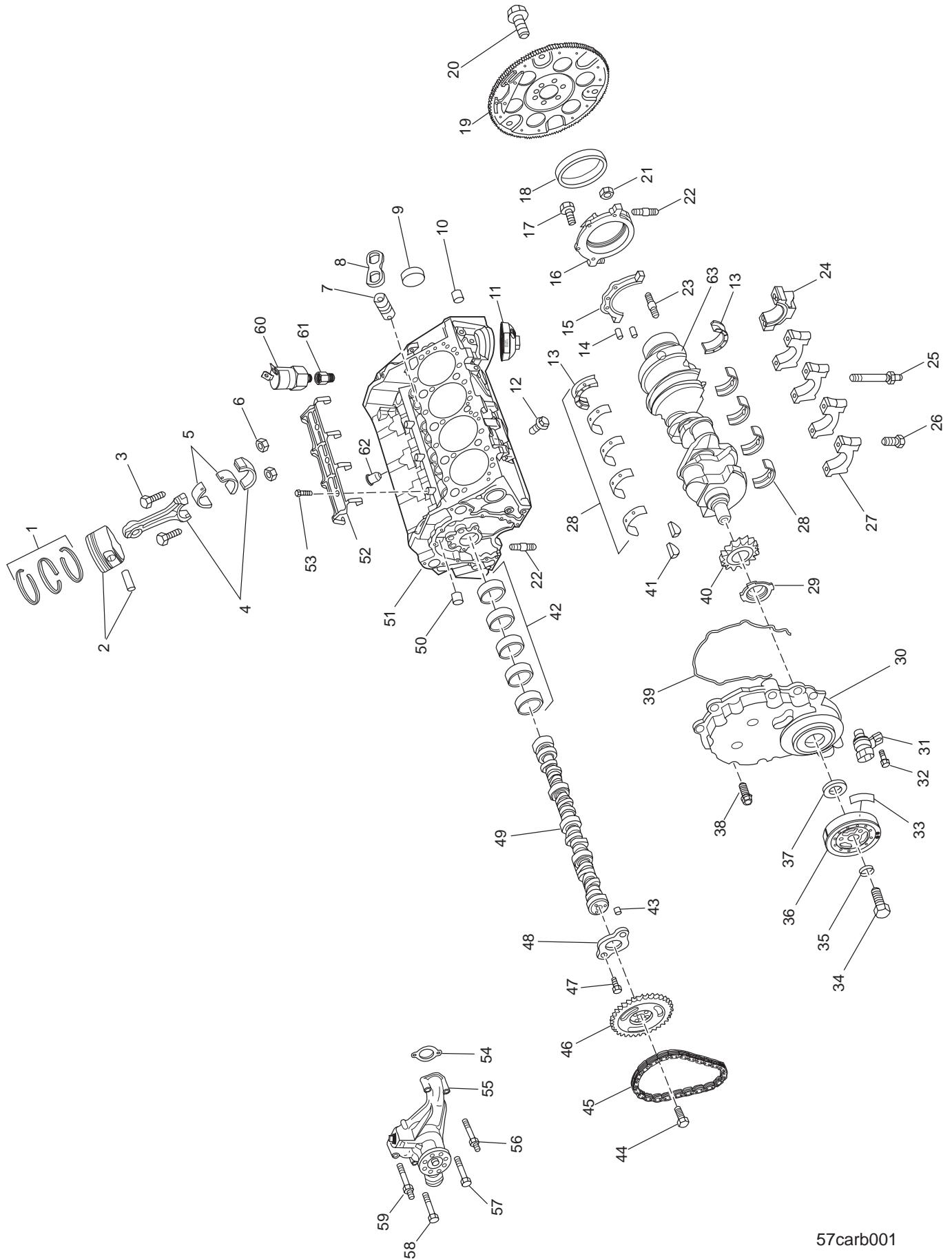


57carb001

CYLINDER BLOCK ASSEMBLY - FIGURE 1

ITEM	PART NUMBER	DESCRIPTION	QUANTITY
*	RB001005H	Base Engine Assembly (LH)	
*	RB001005A	Base Engine Assembly (RH)	
1	R015013	Ring Set , piston (STD)	8
2	RA013016	Piston , (STD)	8
3	7080280	Bolt , connecting rod cap	16
4	RA011012	Connecting Rod (STD)	8
5	R007023	Bearing Set , connecting rod (STD)	8
6	7080050	Nut , connecting rod cap	16
7	R035038	Lifter , roller, valve	16
8	R037001	Guide , valve lifter	8
9	R069064	Plug , camshaft	1
10	33089	Plug , oil gallery	3
11	R079051	Adapter , oil bypass 5.7L	1
12	RS3552	Plug , engine block coolant drain hole	2
13	7050680	Bearing , crankshaft rear main (STD)	1
13	7057200	Bearing , crankshaft rear main (.001 US)	AR
13	7057220	Bearing , crankshaft rear main (.010 US)	AR
13	7057230	Bearing , crankshaft rear main (.020 US)	AR
14	7070340	Pin , crankshaft rear oil seal housing alignment	1
15	7070370	Gasket , crankshaft rear oil seal housing	1
16	R134070	Housing , crankshaft rear oil seal	1
17	7057250	Bolt , crankshaft rear oil seal housing, short	2
17	7057260	Bolt , crankshaft rear oil seal housing, long	1
18	R047173A	Seal , crankshaft rear oil (LH)	1
18	R047175	Seal , crankshaft rear oil (RH)	1
19	RA138008	Flywheel Assembly (Top Mount Starter)	1
19	RA138010	Flywheel Assembly (Bottom Mount Starter)	AR
20	7070480	Bolt , flywheel attaching	6
21	7057270	Nut , crankshaft rear oil seal housing	2
22	TBD	Stud , crankshaft rear oil seal housing	4
23	7050700	Stud , crankshaft rear oil seal housing	2
24	NSS	Cap , crankshaft bearing #5	1
25	7050870	Stud , crankshaft bearing cap	5
26	7050690	Bolt , crankshaft bearing cap	5
27	NSS	Cap , crankshaft bearing #1 - #4	4
28	RK007020	Bearing Set , crankshaft main (STD)	1
28	7050670	Bearing , crankshaft main (STD)	4
28	7057170	Bearing , crankshaft main (.002 US)	AR
28	7057180	Bearing , crankshaft main (.010 US)	AR
28	7057190	Bearing , crankshaft main (.020 US)	AR
29	R056001	Ring , crankshaft position sensor reluctor (LH)	1
29	R056001A	Ring , crankshaft position sensor reluctor (RH)	1

CYLINDER BLOCK ASSEMBLY - FIGURE 1 (cont'd)

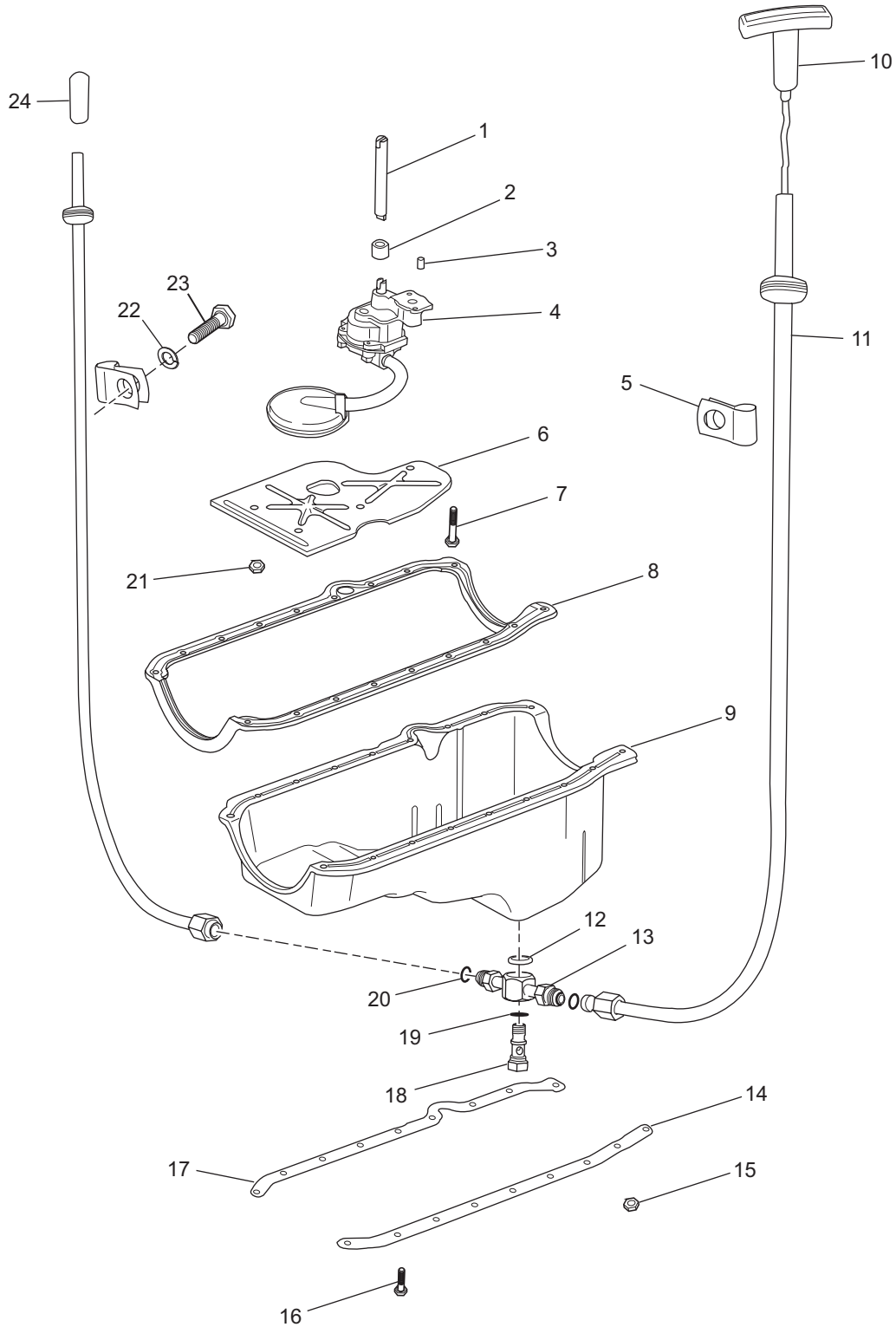


57carb001

CYLINDER BLOCK ASSEMBLY - FIGURE 1 (cont'd)

ITEM	PART NUMBER	DESCRIPTION	QUANTITY
30	R004010A	Cover , engine front cover (includes gasket and seal) '02 - present engines	1
30	R004010	Cover , engine front cover (includes gasket and seal) '97 - '01 engines	1
31	R020038	Sensor , crankshaft position	1
32	TBD	Bolt , crankshaft position sensor attaching	1
33	R143151	Decal , ignition timing	1
34	R009091	Bolt , crankshaft balancer	1
35	R096074	Washer , crankshaft balancer bolt	1
36	R064010A	Balancer , crankshaft - '02 and newer	1
36	R064010	Balancer , crankshaft - '97-'01	1
37	NSS	Seal , crankshaft front oil	1
38	R009177	Bolt , engine front cover attaching, short	6
38	R009176	Bolt , engine front cover attaching, long	2
39	NSS	Gasket , engine front cover	1
40	R054024	Sprocket , crankshaft	1
41	R164024	Key , crankshaft balancer	2
42	RK051030	Bearing Set , camshaft	1
42	7050630	Cam Bearing #1	1
42	7050640	Cam Bearing #2 & #5	2
42	7050650	Cam Bearing #3 & #4	2
43	R022022	Pin , camshaft sprocket locating	1
44	30698	Bolt , camshaft sprocket attaching	1
45	R055011	Chain , camshaft timing	1
46	R054041	Sprocket , camshaft	1
47	7070700	Bolt , camshaft retaining	2
48	R109050	Retainer , camshaft	1
49	RA050021	Camshaft , engine (LH)	1
49	RA050022	Camshaft , engine (RH)	1
50	7050740	Plug , oil gallery	1
51	NSS	Block , engine	
52	R090253A	Retainer , valve lifter	1
53	RS0279	Bolt , valve lifter retainer	3
54	RM0203	Gasket , water pump to engine block	2
55	RA057027	Water Pump Assembly	1
56	R095026	Stud , water pump attaching	1
57	RS0307	Bolt , water pump attaching	1
58	90305275	Bolt , water pump attaching	1
58	90305300	Bolt , water pump attaching	1
59	R095026	Stud , water pump attaching	1
59	RS0308	Bolt , water pump attaching	1
NI	RS2180	Lockwasher , water pump attaching	2
60	R153005	Switch , oil pressure, fuel interlock	1
61	R024059	Fitting , oil switch	1
62	98144	Plug , block, dipstick (305/350)	1
63	R006017A	Crankshaft , 350 1996/Later	1
NI	R069066	Plug , Brass, block 1 5/8"	8

OIL PAN and OIL PUMP ASSEMBLY - FIGURE 2

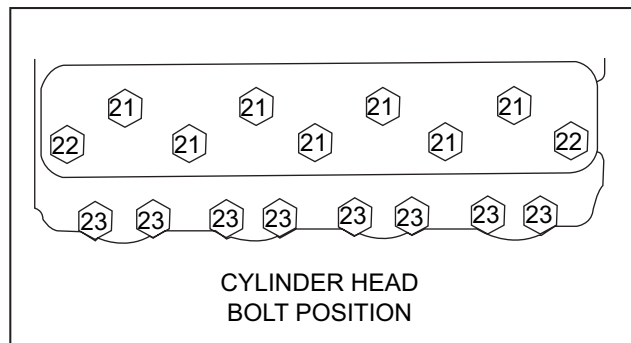
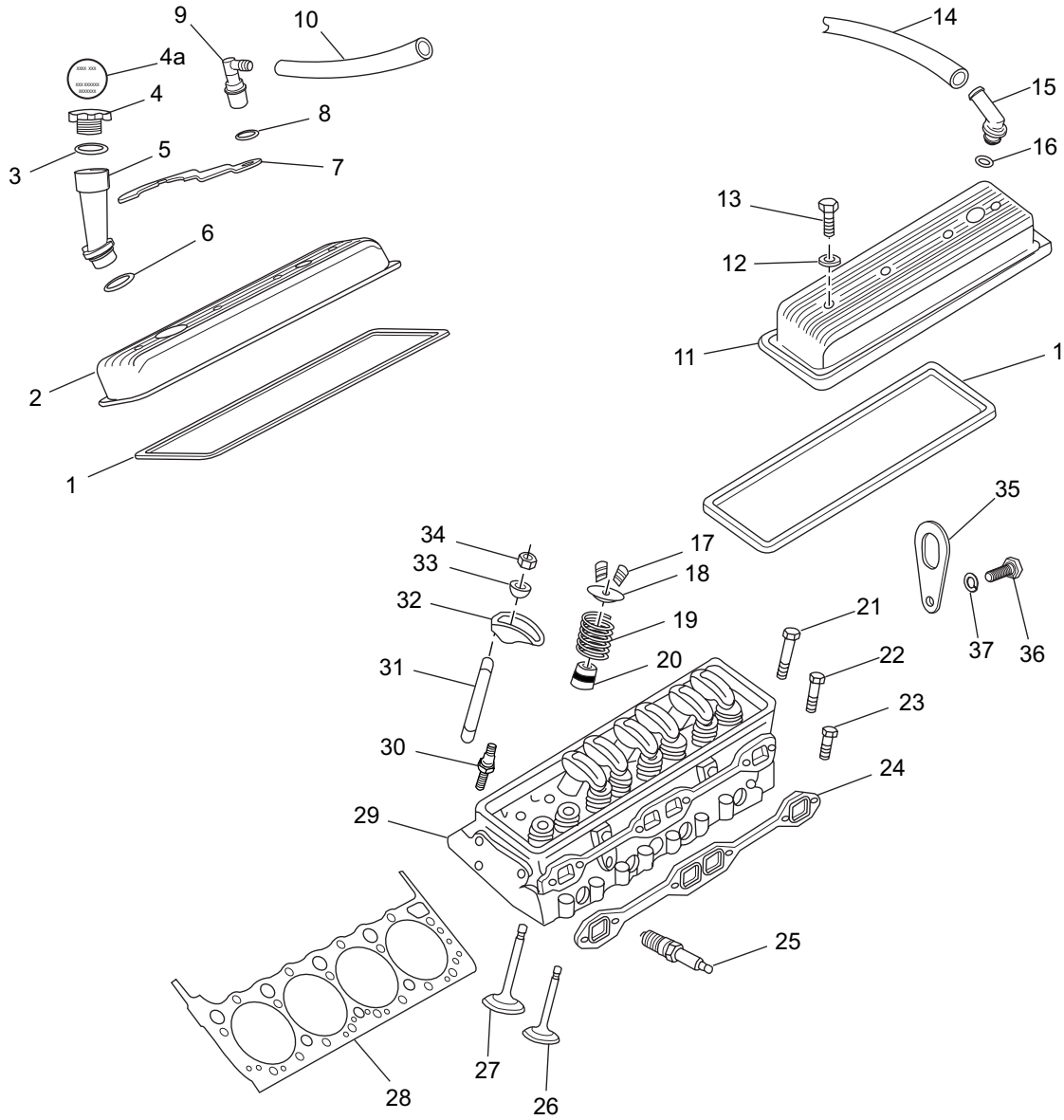


PC57B024CR

OIL PAN and OIL PUMP ASSEMBLY - FIGURE 2

ITEM	PART NUMBER	DESCRIPTION	QUANTITY
1	R058054	Shaft , oil pump drive	1
2	7100220	Retainer , oil pump drive shaft	1
3	R022022	Pin , oil pump locating	2
4	RA070010	Oil Pump Assembly	1
5	R127015	Clamp , strap	2
6	R012028	Deflector , crankshaft oil	1
7	7100250	Bolt , oil pump	1
8	RM0249	Gasket , oil pan	1
9	R005011	Oil Pan , stamped	1
9	97920	Oil Pan , cast (not shown)	1
10	R041073	Dipstick , oil level (0-4 degree)	1
10	R041074	Dipstick , oil level (12 degree)	AR
10	R041075	Dipstick , oil level (V-drive)	AR
11	R041078	Tube , oil level dipstick	2
12	23535	O-ring , oil pan dipstick tube fitting	1
13	98432	Fitting , oil pan dipstick tube	1
14	7090440	Reinforcement , oil pan (LH)	1
15	95200010	Nut , oil pan	4
16	R009157	Bolt , oil pan	14
17	7090450	Reinforcement , oil pan (RH)	1
18	98466	Bolt , oil pan dipstick tube fitting	1
19	NSS	O-ring , oil pan dipstick tube fitting bolt	1
20	NSS	O-ring , oil pan dipstick tube	2
21	7050360	Nut , crankshaft oil deflector	5
22	RS2180	Lockwasher , strap clamp	2
23	RS0302	Bolt , strap clamp	2
24	45343	Cap , oil pan dipstick tube	1
		“CAST OIL PAN”	
NI	RS3551	Pipe Plug , HX SOC Brass 3/8”, port and frt	2
NI	30615	Fitting , oil pan dipstick tube, 45°, brass, stbd	1
NI	98350	Tube , dipstick, 0°	AR
NI	98351	Tube , dipstick, 4°	AR
NI	98352	Tube , dipstick, 12°	AR
NI	98283	Dipstick , oil level	1
NI	90245200	Bolt , oil pan, 5/16-18 X 2”, front	2
NI	90245150	Bolt , oil pan, 5/16-18 X 1-1/2”, rear	2
NI	RS2179	Lockwasher , oil pan, 5/16”	4
NI	90105175	Bolt , oil pan, 1/4-20 X 1-3/4”, port front	4
NI	RS0258	Bolt , oil pan, 1/4-20 X 1-1/2”, stbd, port rear	8
NI	RS2178	Lockwasher , oil pan, 1/4”	12

CYLINDER HEAD ASSEMBLY - FIGURE 3

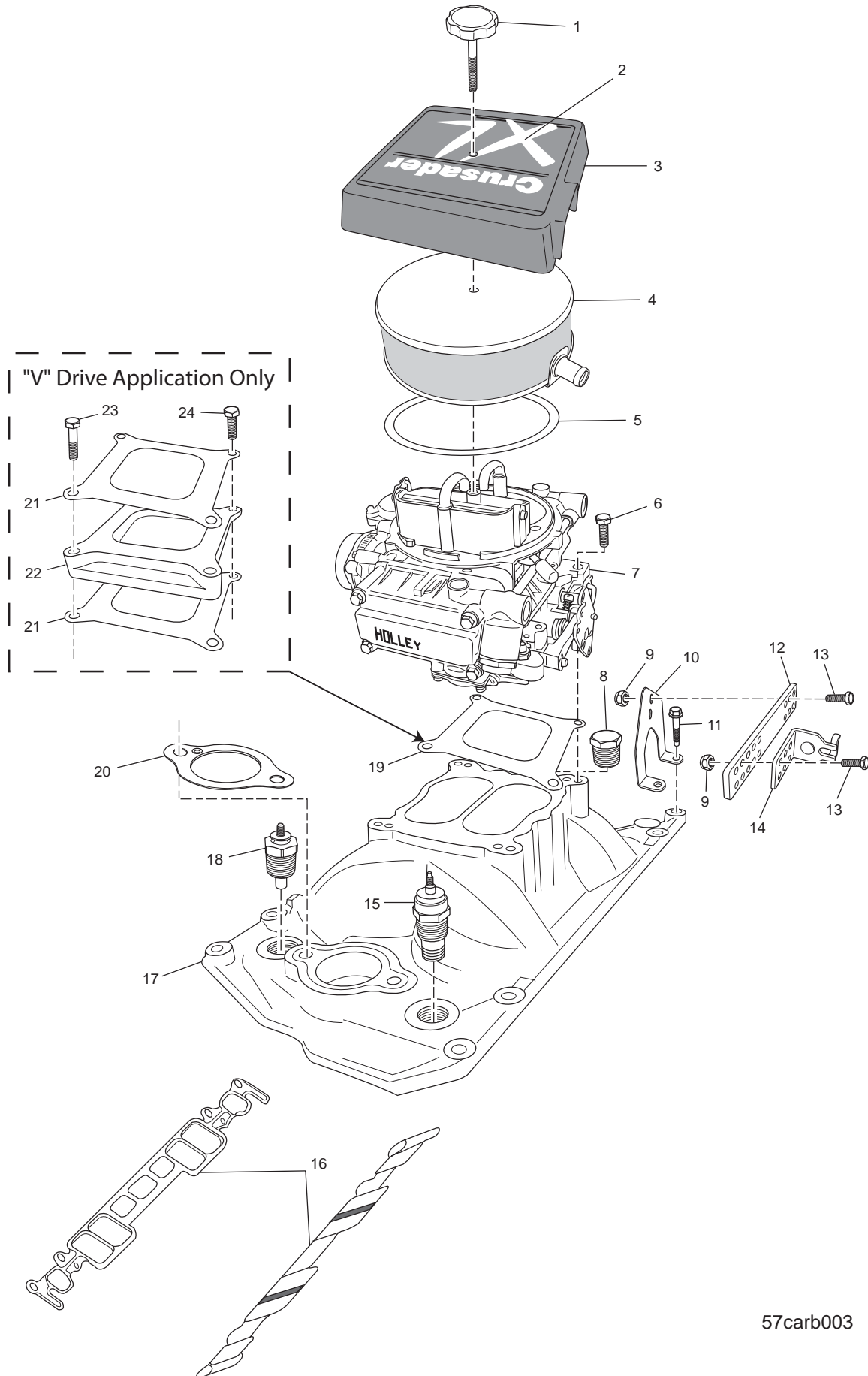


57carb002

CYLINDER HEAD ASSEMBLY - FIGURE 3

ITEM	PART NUMBER	DESCRIPTION	QUANTITY
1	RM0193	Gasket , rocker cover	2
2	R033008	Cover , rocker (right side)	1
3	R047228	O-Ring , oil fill riser cap	1
4	R034037	Cap , oil fill riser	1
4a	R143137	Decal , oil fill riser cap	1
5	R034048	Riser , oil fill	1
6	R047228	O-Ring , oil fill riser	1
7	R127098	Retainer , oil fill riser	1
8	R094015	Grommet , pcv valve	1
9	R035015	Valve , positive crankcase ventilation	1
10	R045049	Hose , pcv valve 3/8" I.D.	AR
11	R033008A	Cover , rocker (left side)	1
12	98009	Washer , rocker cover retaining bolt	8
13	7231510	Bolt , rocker cover retaining	8
14	R045008C	Hose , breather	1
15	R024013A	Elbow , breather tube	1
16	R094015	Grommet , breather tube elbow	1
17	R049012	Retainer , valve stem	32
18	R049015	Cap , valve spring	16
19	R046050	Valve Spring Assembly	16
20	R047238	Seal , valve stem (intake)	8
20	R047239	Seal , valve stem (exhaust)	8
21	R009168	Bolt , cylinder head to engine block (long)	14
22	7057300	Bolt , cylinder head to engine block (medium)	4
23	7057280	Bolt , cylinder head to engine block (short)	16
24	96306	Gasket , exhaust manifold	2
25	R030010	Spark Plug	8
26	R043035	Valve , (intake)	8
27	R043036	Valve , (exhaust)	8
28	RM0195	Gasket , cylinder head	2
29	R003008B	Cylinder Head Assembly	2
30	R095034	Stud , valve rocker arm	16
30	7230920	Stud , valve rocker arm (.013 OS)	AR
30	R095035	Stud , valve rocker arm (.033 OS)	AR
31	R039023	Push Rod	16
32	R038015	Rocker Arm , valve	16
33	R038011	Ball , rocker arm	16
34	R017069	Nut , rocker arm attaching	16
35	R042008	Bracket , lift ring	1
36	RS0304	Bolt , lift ring attaching	1
37	RS2180	Lockwasher , lift ring attaching	1

INTAKE MANIFOLD ASSEMBLY (Thru '03) - FIGURE 4

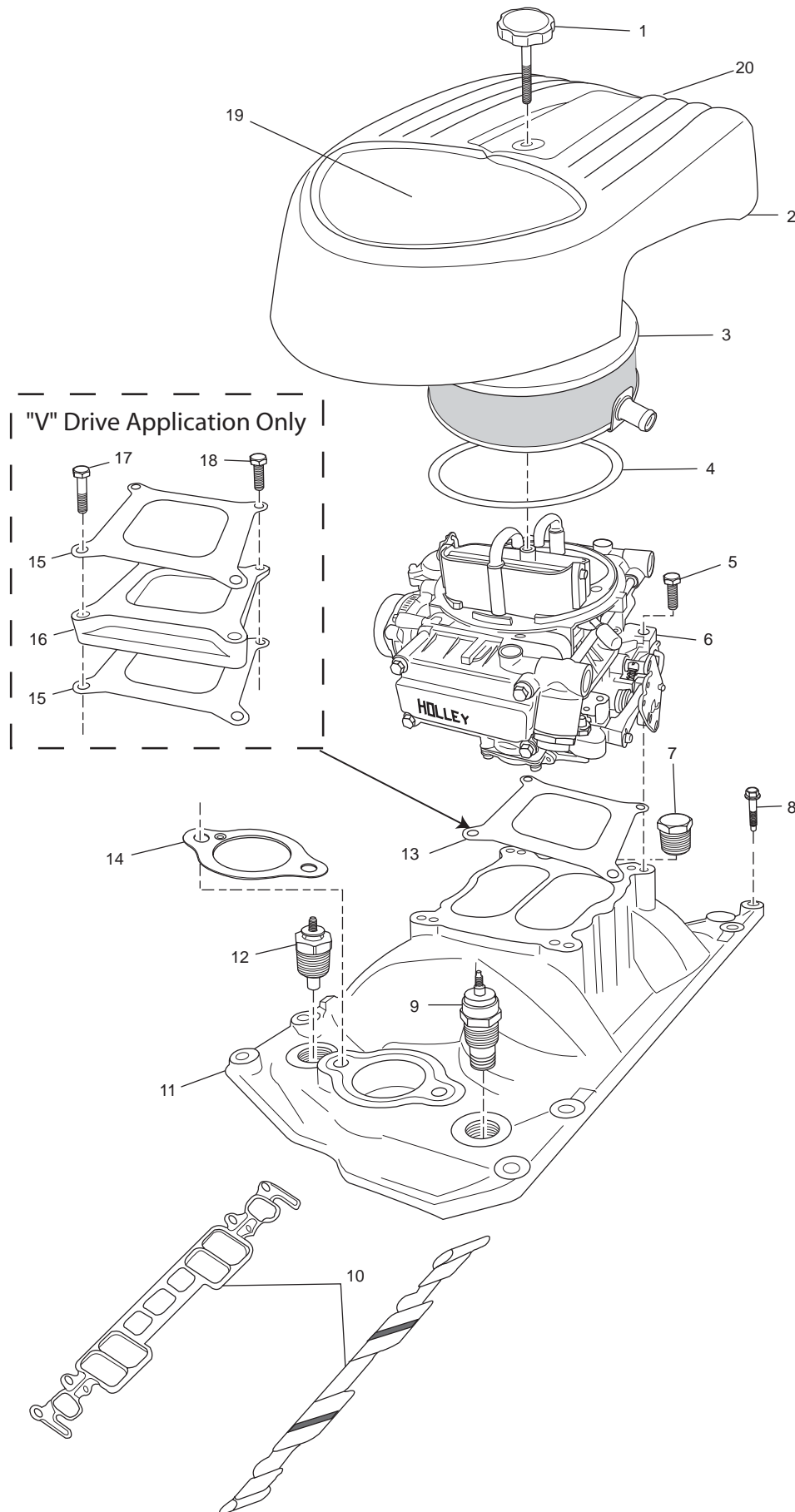


57carb003

INTAKE MANIFOLD ASSEMBLY (Thru '03) - FIGURE 4

ITEM	PART NUMBER	DESCRIPTION	QUANTITY
1	RA009145	Knob , cover retaining	1
2	22831	Decal , cover "Crusader XL"	1
3	R060045	Cover , flame arrestor	1
4	R145017	Arrestor , flame	1
5	RM0129	Gasket , flame arrestor (4V)	1
6	RS0282	Bolt , carburetor attaching	4
7	RA052003	Carburetor , Holley	1
8	RS3551	Plug , intake manifold	1
9	RS2055	Nut , nylock, throttle clip attaching	4
10	98582	Bracket , throttle cable	1
11	R009180	Bolt , intake manifold to block	8
12	R090193	Bracket , throttle clip extension	1
13	RS5122	Bolt , throttle clip attaching	2
14	R090086	Clip , throttle cable attaching	1
15	R020014A	Switch , engine coolant temperature	1
16	RM0250	Gasket , intake manifold	2
17	R002018C	Intake Manifold	1
18	R020003	Sender , temperature (SS)	1
18	22701	Sender , temperature (DS)	AR
19	98088	Gasket , carburetor to intake manifold	1
20	RM0121	Gasket , water neck	1
		Carburetor mounting components for V-drive applications.	
21	98088	Gasket , carburetor mounting	2
22	98087	Wedge	1
23	90205200	Bolt , carburetor mounting, front	2
24	90205125	Bolt , carburetor mounting, rear	2

INTAKE MANIFOLD ASSEMBLY ('04) - FIGURE 5

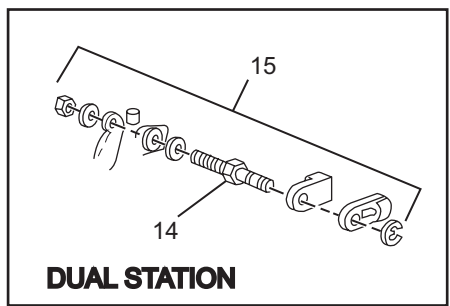
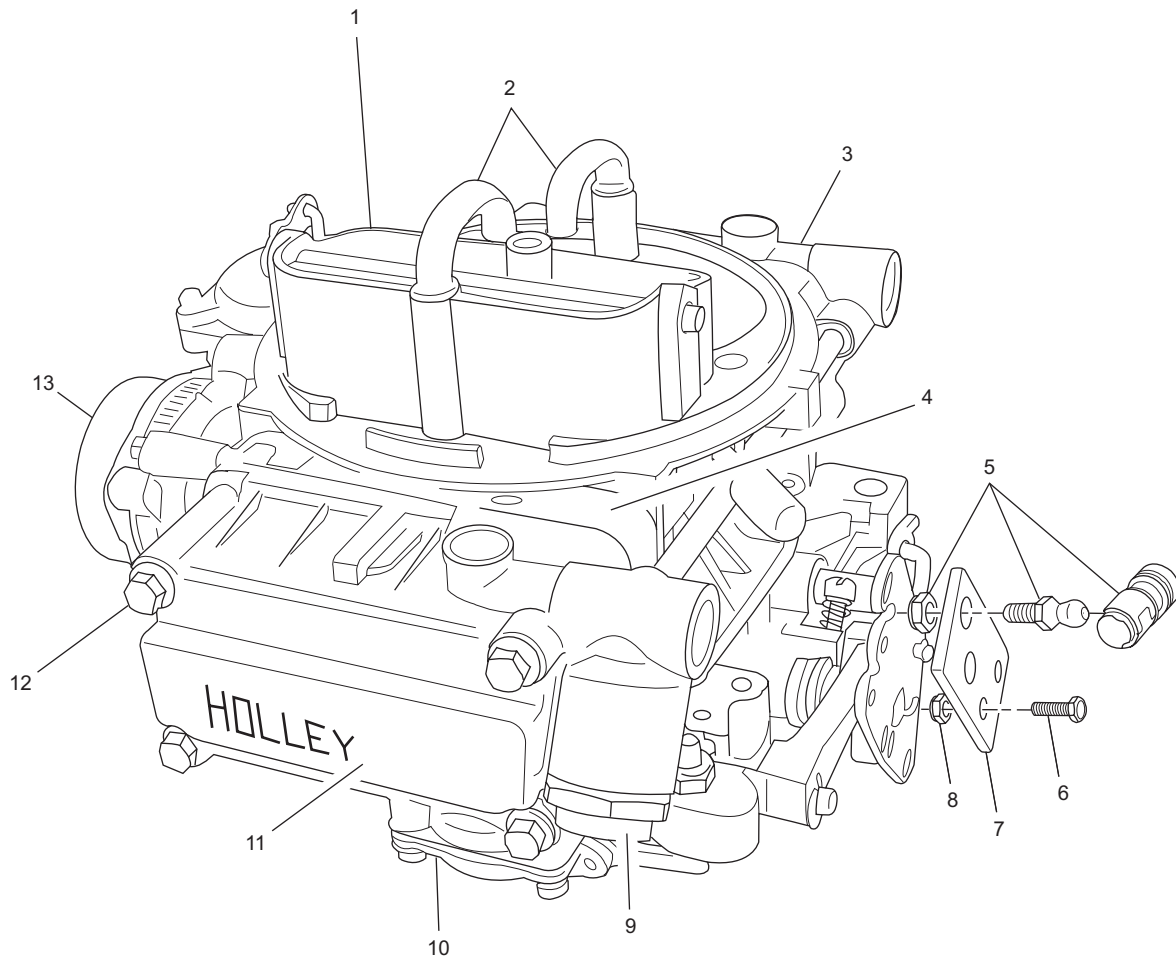


57carb003_04

INTAKE MANIFOLD ASSEMBLY ('04) - FIGURE 5

ITEM	PART NUMBER	DESCRIPTION	QUANTITY
1	RA009145	Knob , cover retaining	1
2	R060056	Cover , flame arrestor	1
3	R145017	Arrestor , flame	1
4	RM0129	Gasket , flame arrestor (4V)	1
5	RS0282	Bolt , carburetor attaching	4
6	RA052003	Carburetor , Holley	1
7	RS3557	Plug , intake manifold	1
8	R009180	Bolt , intake manifold to block	8
9	R020014A	Switch , engine coolant temperature	1
10	RM0250	Gasket , intake manifold	2
11	R002018C	Intake Manifold	1
12	R020003	Sender , temperature (SS)	1
12	22701	Sender , temperature (DS)	AR
13	98088	Gasket , carburetor to intake manifold	1
14	RM0121	Gasket , water neck	1
		Carburetor mounting components for V-drive applications.	
15	98088	Gasket , carburetor mounting	2
16	98087	Wedge	1
17	90205200	Bolt , carburetor mounting, front	2
18	90205125	Bolt , carburetor mounting, rear	2
19	R143126B	Decal , cover	1
20	R143127B	Decal , cover	1

CARBURETOR ASSEMBLY - FIGURE 6

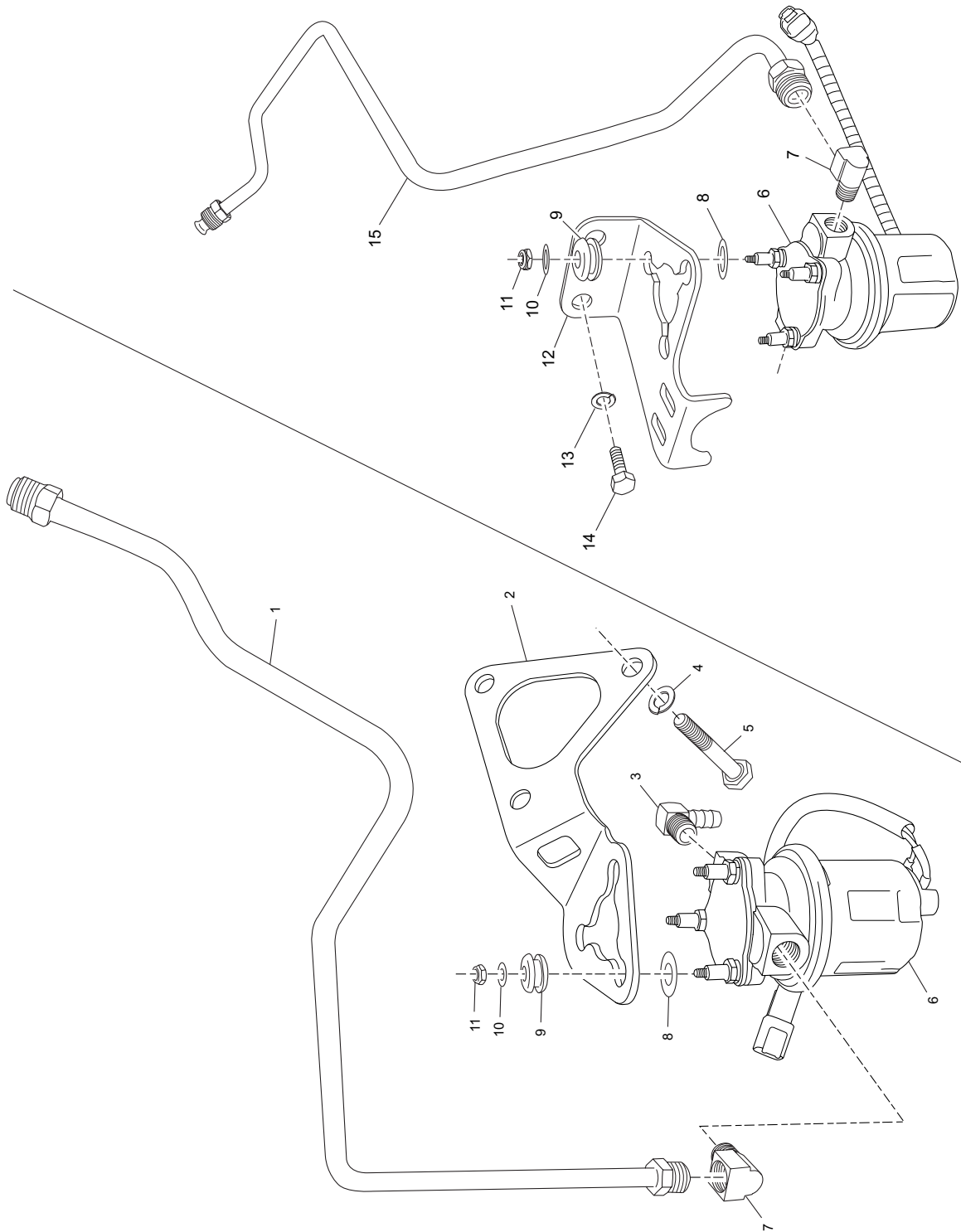


57carb005

CARBURETOR ASSEMBLY - FIGURE 6

ITEM	PART NUMBER	DESCRIPTION	QUANTITY
1	RA052003	Carburetor Assembly	1
2	RN0127	Tube , "J" bowl vent	2
3	RN0052A	Fuel Bowl , Secondary	1
4	RN0143	Metering Block Assembly	1
5	R178003	Ball Joint , 5/16-24 throttle mount (SS)	1
6	RS5122	Bolt , throttle cable/carb attaching	1
7	R090069	Bracket , throttle cable/carburetor	1
8	RS2055	Nut , nylock, throttle cable/carb attaching	1
9	R024025	Adapter , carburetor fuel inlet	1
10	RN0050	Cover , accelerator pump	1
11	RN0052	Fuel Bowl , Primary	1
12	R009142	Screw , Primary carburetor bowl attaching	4
13	RN0067-1	Electric Choke Assembly	1
14	22978	Pivot Pin , cable attaching (dual)	AR
15	23235	Cable Attaching Kit , dual station	AR
NI	R009143	Screw , Secondary carburetor bowl attaching	4
NI	RN0023	Gasket , fuel bowl screw	8
NI	RN0032	Gasket , fuel inlet fitting	1
NI	RN0054	Diaphragm Assembly , accelerator pump	1
NI	RN0045	Valve , pump discharge nozzle	1
NI	RN0133	Float , carburetor	2
NI	RN0120-1	Repair Kit , carburetor	1

FUEL PUMP AND FUEL SYSTEM - FIGURE 7

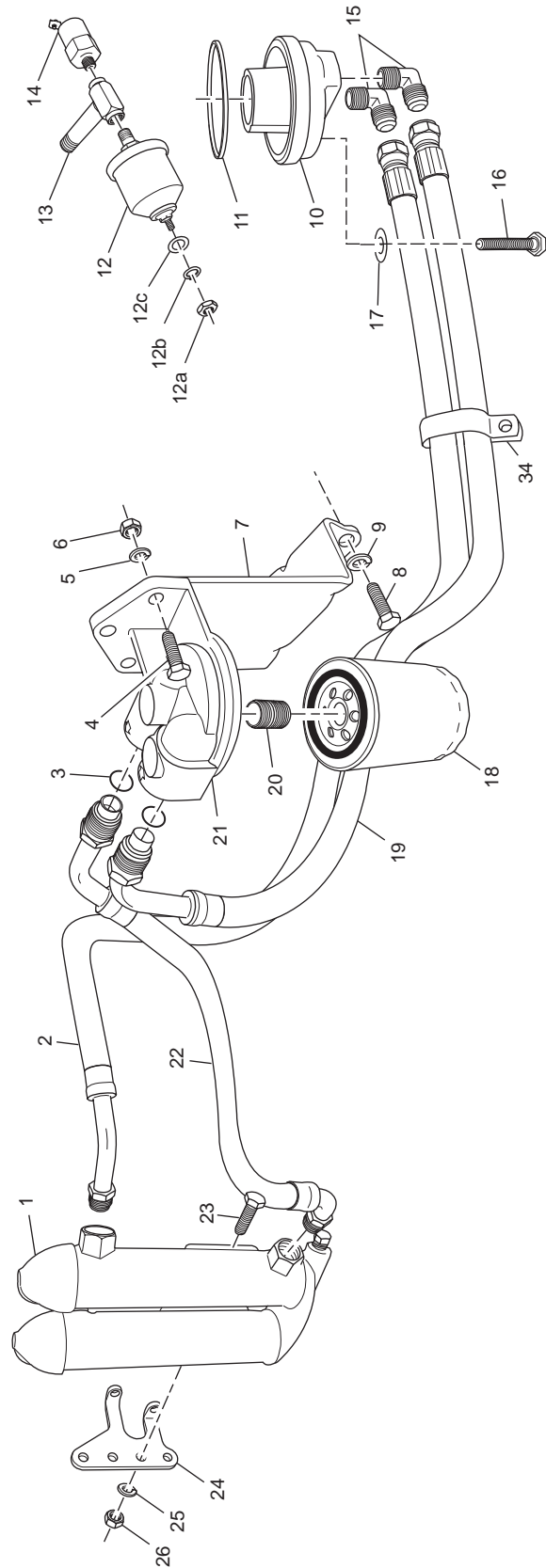
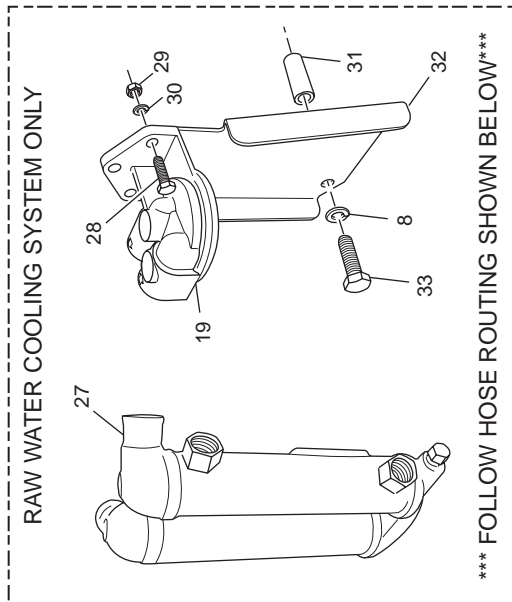


57carb006

FUEL PUMP AND FUEL SYSTEM - FIGURE 7

ITEM	PART NUMBER	DESCRIPTION	QUANTITY
1	RA085018B	Fuel Line , 5.7L Carburetor	1
2	R090223	Bracket , low-pressure fuel pump mounting	1
3	R024089	Elbow , 1/4 NPT X 3/8 Hose	1
4	RS2180	Lockwasher , bracket mounting	3
5	RS0305	Bolt , bracket mounting	3
6	RA080018	Fuel Pump , low-pressure	1
7	R024017	Elbow , 3/8 inverse flare X 1/4 NPT	1
8	R096142	Washer , fuel pump mounting	3
9	R094035A	Grommet , mounting bracket	3
10	R096142	Washer , fuel pump mounting	3
11	RS1521L	Locking Nut , low-pressure fuel pump	3
12	R090308	Bracket , low-pressure fuel pump	1
13	RS2180	Lockwasher , lfpf bracket mounting	2
14	RS0302	Bolt , lfpf bracket mounting	2
15	RA085018C	Fuel Line , lfpf to carburetor	1

REMOTE OIL FILTER COMPONENTS (Thru '03) - FIGURE 8

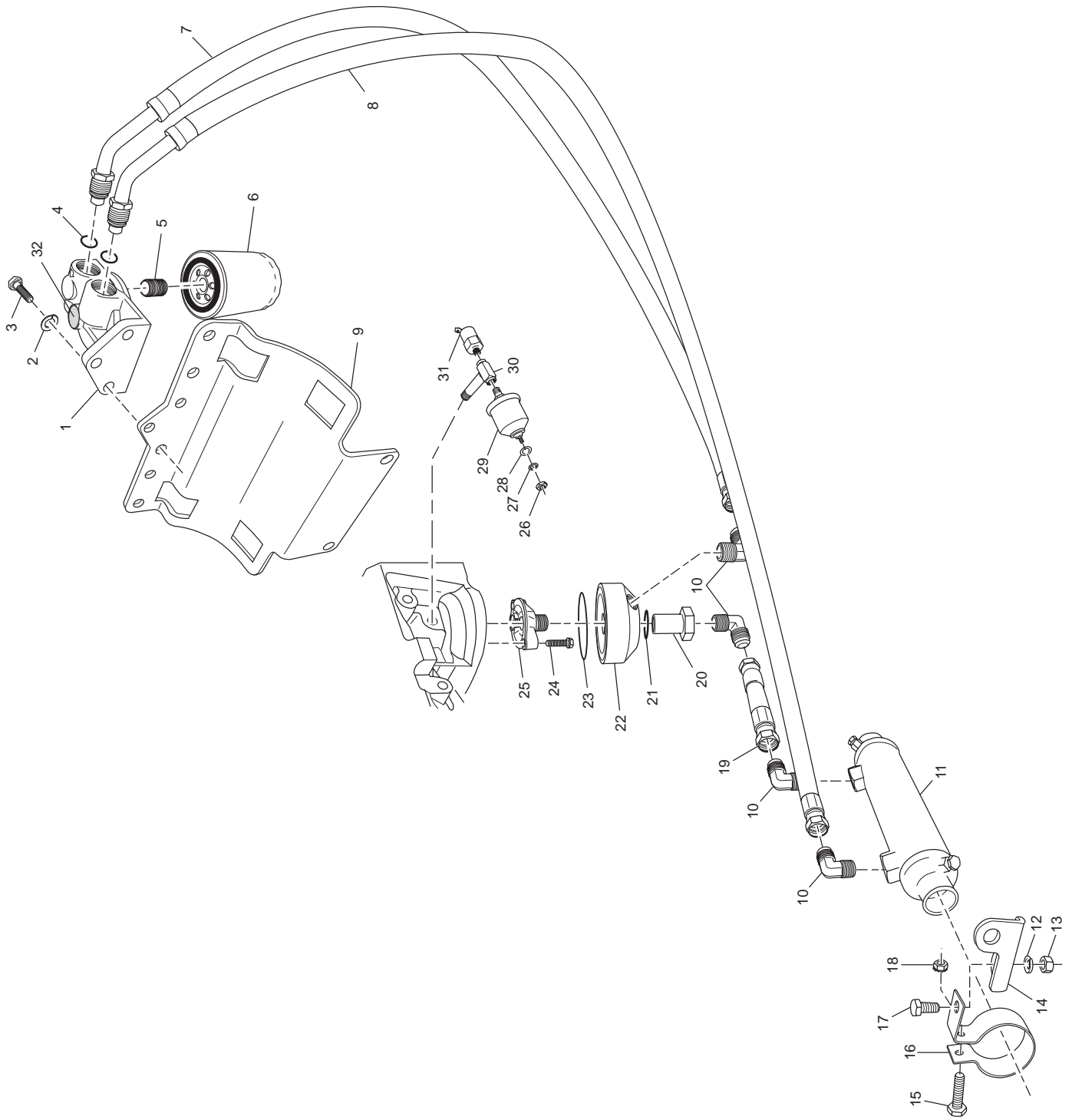


57carb007

REMOTE OIL FILTER COMPONENTS (Thru '03) - FIGURE 8

ITEM	PART NUMBER	DESCRIPTION	QUANTITY
1	98570	U-Cooler , oil and transmission (FWC)	1
2	18375	Hose Assembly , U-cooler to bypass adapter	1
3	R047245	O-Ring , oil line	2
4	RS0282	Bolt , header mounting to brkt (FWC)	3
5	RS2179	Lockwasher , header mounting to brkt (FWC)	3
6	RS1027	Nut , header to brkt mounting (FWC)	3
7	98612	Bracket , ROF header mounting, (FWC)	1
8	RS0304	Bolt , header mounting bracket attaching (FWC)	2
9	RS2180	Lockwasher , attaching bolt	2
10	97667	Adapter , oil bypass	1
11	20156	O-ring , oil bypass adapter	1
12	R020001	Sender , oil pressure	1
12a	RS1540	Nut , sender terminal	1
12b	RS2197	Lockwasher , sender terminal	1
12c	RS2746	Washer , sender terminal	1
13	R024205	Tee , sender attaching	1
14	R020015A	Switch , oil pressure	1
15	R024184	Fitting , 5/8SAE X 1/2NPT, 90 degree	2
16	90225250	Bolt , flange head, oil bypass adapter attaching	2
17	92205000	Washer , nylon	2
18	22679	Filter , oil	1
19	RA045120D	Hose Assembly , filter header to bypass adapter	1
20	R024203	Nipple , header filter adapter	1
21	R079066	Oil Filter Header	1
22	18376	Hose Assembly , U-cooler to filter header	1
23	RS0304	Bolt , U-cooler mounting	2
24	98670	Bracket , U-cooler mounting	1
25	RS2180	Lockwasher , U-cooler mounting	2
26	RS1028	Nut , U-cooler mounting	2
27	98123	U-Cooler , oil and transmission (RWC)	1
28	RS0282	Bolt , header mounting to brkt (RWC)	3
29	RS1027	Nut , header to brkt mounting (RWC)	3
30	RS2179	Lockwasher , header to brkt mounting (RWC)	3
31	98609	Spacer , ROF, RWC bracket	2
32	98585	Bracket , ROF header mounting, (RWC)	1
33	90305300	Bolt , header mounting bracket attaching (RWC)	2
34	R127099	Clamp , strap	1

REMOTE OIL FILTER COMPONENTS ('04) - FIGURE 9

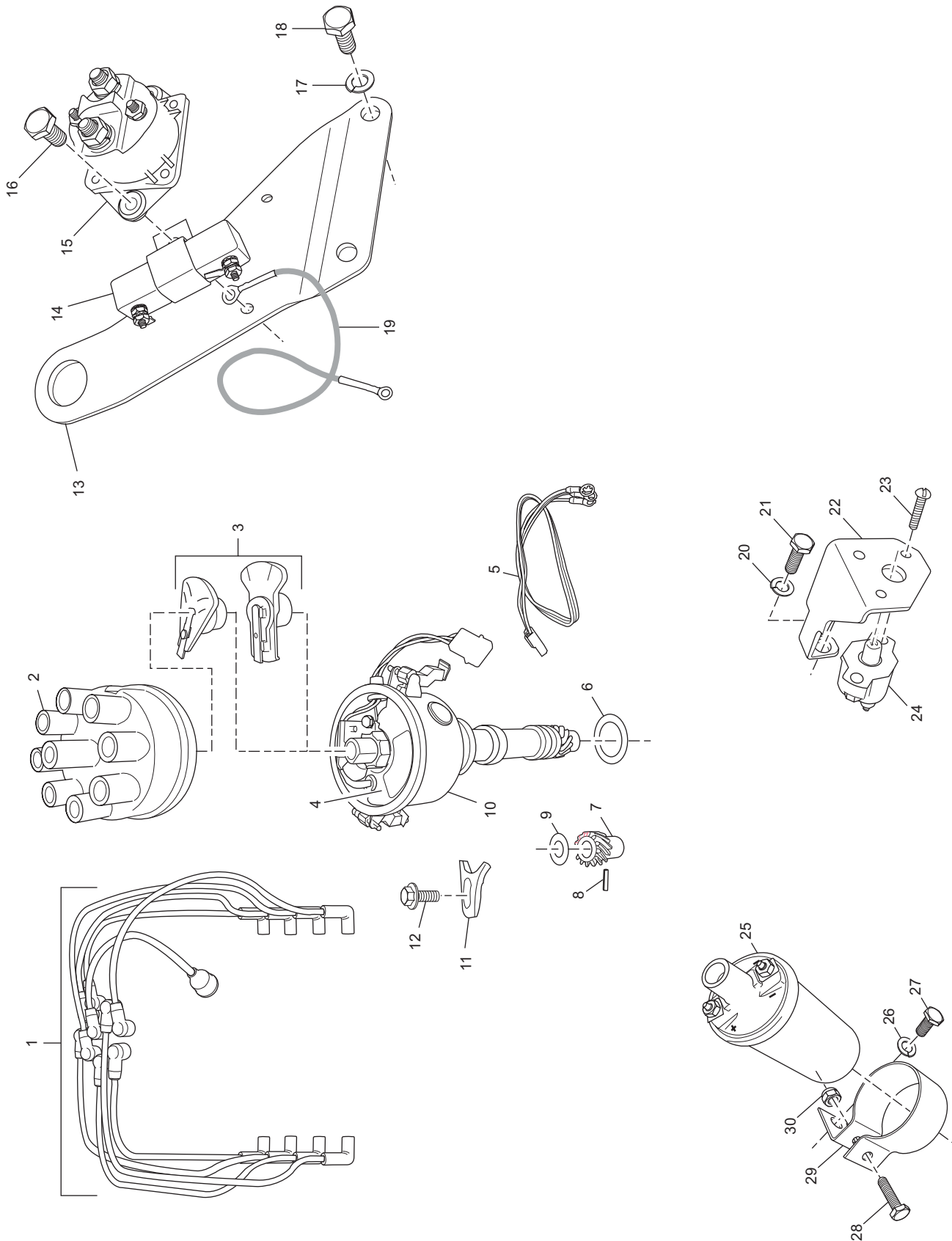


57carb007_04

REMOTE OIL FILTER COMPONENTS ('04) - FIGURE 9

ITEM	PART NUMBER	DESCRIPTION	QUANTITY
1	R079066	Oil Filter Header	1
2	RS2179	Lockwasher , header mounting to brkt	3
3	RS0280	Bolt , header mounting to brkt	3
4	R047245	O-Ring , oil line	2
5	R024203	Nipple , header filter adapter	1
6	22679	Filter , oil	1
7	RA045155A	Hose Assembly , cooler to filter header	1
8	RA045155B	Hose Assembly , filter header to bypass adapter	1
9	R090258	Bracket , ROF header mounting	1
10	R024184	Fitting , 5/8SAE X 1/2NPT, 90 degree	2
11	R147049	Cooler , oil	1
12	RS2180	Lockwasher , oil cooler attaching	1
13	RS1028	Nut , oil cooler attaching	1
14	R090013A	Bracket , oil cooler attaching	1
15	RS0256	Bolt , oil cooler mounting	1
16	R090010	Bracket , oil cooler mounting	1
17	RS0302	Bolt , oil cooler attaching	1
18	RS2058	Nut , oil cooler mounting	1
19	RA045103D	Hose Assembly , cooler to bypass adapter	1
20	R017073	Bolt , oil bypass adapter	1
21	R047203	O-ring , small	1
22	R079051	Adapter , oil bypass adapter	1
23	R047202	O-ring , large	1
24	R009089	Bolt , oil adapter	2
25	RA079028	Adapter , oil	1
26	RS1540	Nut , sender terminal	1
27	RS2197	Lockwasher , sender terminal	1
28	RS2746	Washer , sender terminal	1
29	R020001	Sender , oil pressure	1
30	R024205	Tee , sender attaching	1
31	R020015A	Switch , oil pressure	1
32	R143175	Switch , oil pressure	1

IGNITION COMPONENTS (Thru '03)- FIGURE 10

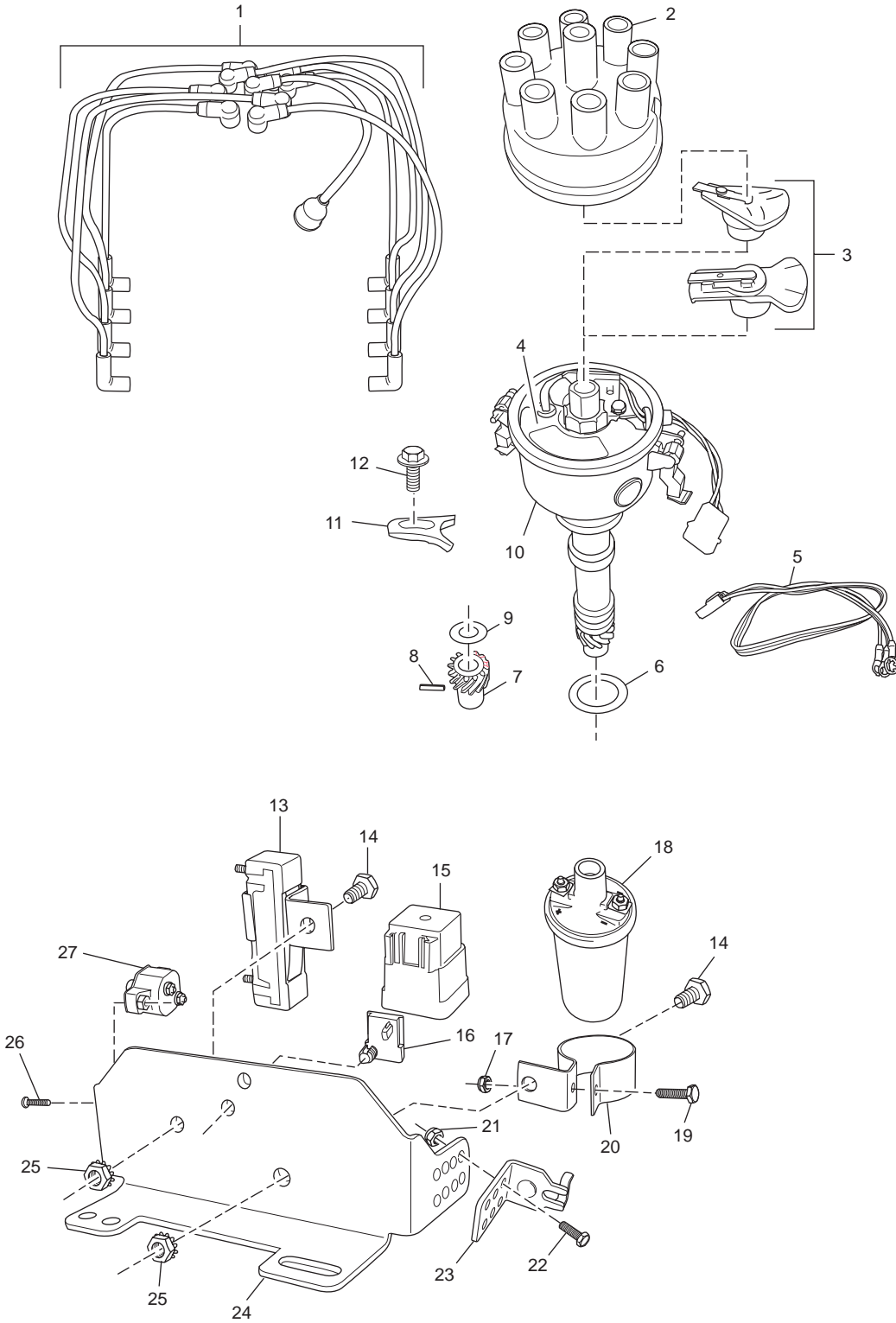


57carb004

IGNITION COMPONENTS (Thru '03) - FIGURE 10

ITEM	PART NUMBER	DESCRIPTION	QUANTITY
1	97454	Sparkplug Wire Set	1
2	R108001	Cap , distributor	1
3	R103001	Rotor	1
NI	RP173081A	Kit , tune-up, cap and rotor	1
4	RP116022	Module , Mallory breakerless ignition	1
NI	TBD	Kit , spring, advance	1
5	NSS	Harness , Distributor interface	1
6	RM0123	Gasket , Distributor to block (GM)	1
7	TBD	Gear , right hand (Dist. # RA107042)	1
7	TBD	Gear , left hand (Dist. # RA107039M)	1
NI	TBD	Kit , Mallory distributor cap retaining clip	1
8	R082061	Pin , roll	1
9	TBD	Washer , thrust	1
10	RA107042	Distributor Assembly (RH)	1
10	RA107039M	Distributor Assembly (LH)	1
11	R127026	Hold Down , distributor	1
12	R009188	Bolt , distributor hold down	1
13	R042008	Bracket , electrical	1
14	R119001	Resistor , ballast	1
15	R130014	Relay , starter	1
16	RS0251	Bolt , relay/resistor attaching	2
17	RS2180	Lockwasher , electrical brkt attaching	2
18	RS0304	Bolt , electrical brkt attaching	2
19	R101013	Wire , jumper green 14ga	1
20	RS2180	Lockwasher , circuit breaker brkt mounting	1
21	RS0304	Bolt , circuit breaker bracket mounting	1
22	R090074	Bracket , 50A circuit breaker	1
23	RS5084	Screw , circuit breaker attaching	2
24	R153006	Circuit Breaker , 50A	1
25	R117004	Coil , ignition	1
26	RS2180	Lockwasher , coil brkt attaching	1
27	RS0302	Bolt , coil brkt attaching	1
28	RS0256	Bolt , coil retaining	1
29	R090010	Bracket , coil	1
30	RS0258	Nut , coil retaining	1

IGNITION COMPONENTS ('04)- FIGURE 11

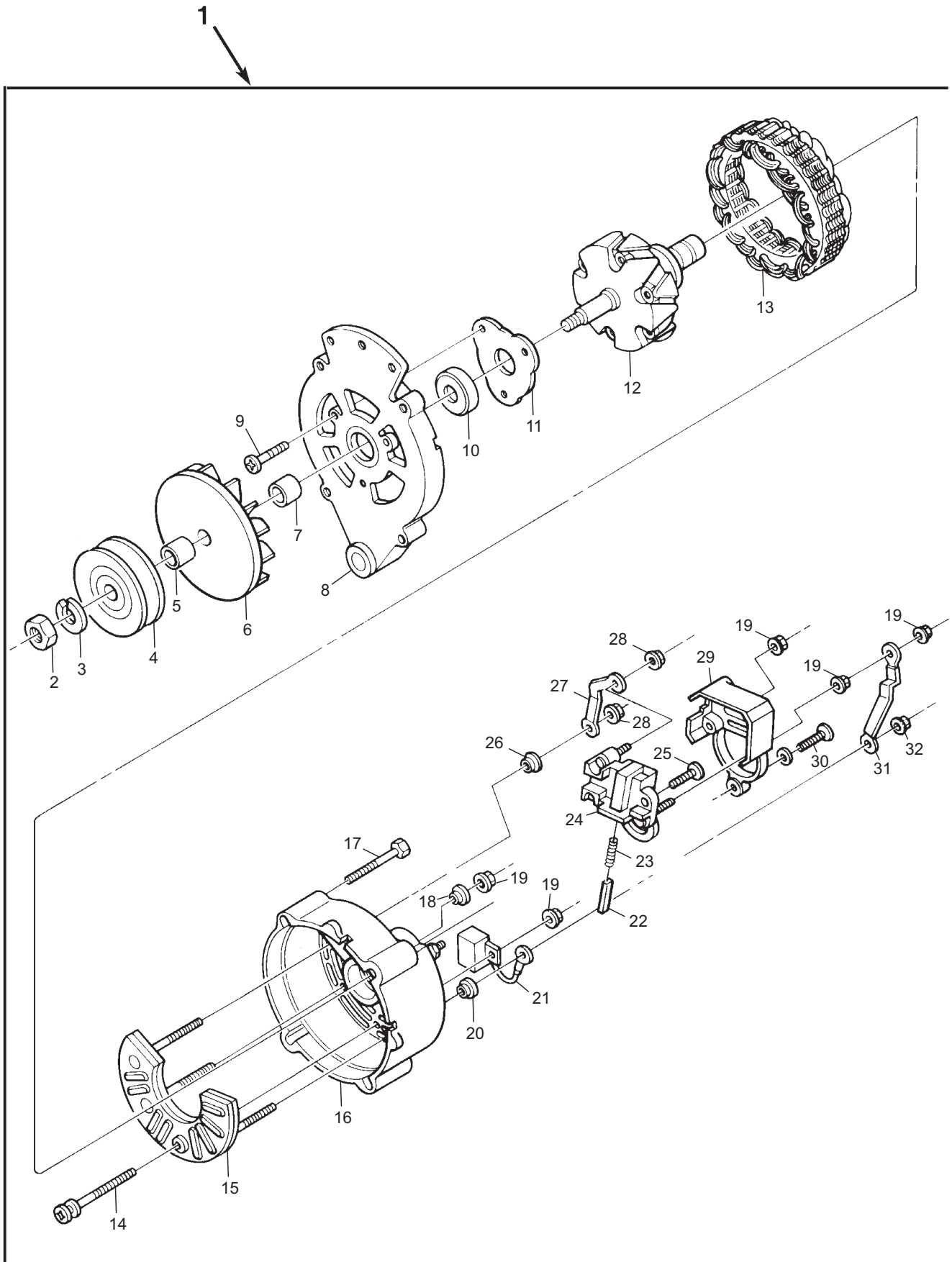


57carb004_04

IGNITION COMPONENTS ('04) - FIGURE 11

ITEM	PART NUMBER	DESCRIPTION	QUANTITY
1	97454	Sparkplug Wire Set	1
2	R108001	Cap , distributor	1
3	R103001	Rotor	1
NI	RP173081A	Kit , tune-up, cap and rotor	1
4	RP116022	Module , Mallory breakerless ignition	1
NI	TBD	Kit , spring, advance	1
5	NSS	Harness , Distributor interface	1
6	RM0123	Gasket , Distributor to block (GM)	1
7	TBD	Gear , right hand (Dist. # RA107042)	1
7	TBD	Gear , left hand (Dist. # RA107039M)	1
NI	TBD	Kit , Mallory distributor cap retaining clip	1
8	R082061	Pin , roll	1
9	TBD	Washer , thrust	1
10	RA107042	Distributor Assembly (RH)	1
10	RA107039M	Distributor Assembly (LH)	1
11	R127026	Hold Down , distributor	1
12	R009188	Bolt , distributor hold down	1
13	R119001	Resistor , ballast	1
14	RS0251	Bolt , attaching	2
15	R130011A	Relay , starter	1
16	R127095	Retainer , relay	1
17	RS0258	Nut , coil retaining	1
18	R117004	Coil , ignition	1
19	RS0256	Bolt , coil retaining	1
20	R090010	Bracket , coil	1
21	RS2055	Nut , nylock, throttle clip attaching	2
22	RS5122	Bolt , throttle clip attaching	2
23	R090086	Clip , throttle cable attaching	1
24	R090185B	Bracket , electrical	1
25	RS1078	Nut , attaching	2
26	RS5084	Screw , circuit breaker attaching	2
27	R153006C	Circuit Breaker , 60A	1

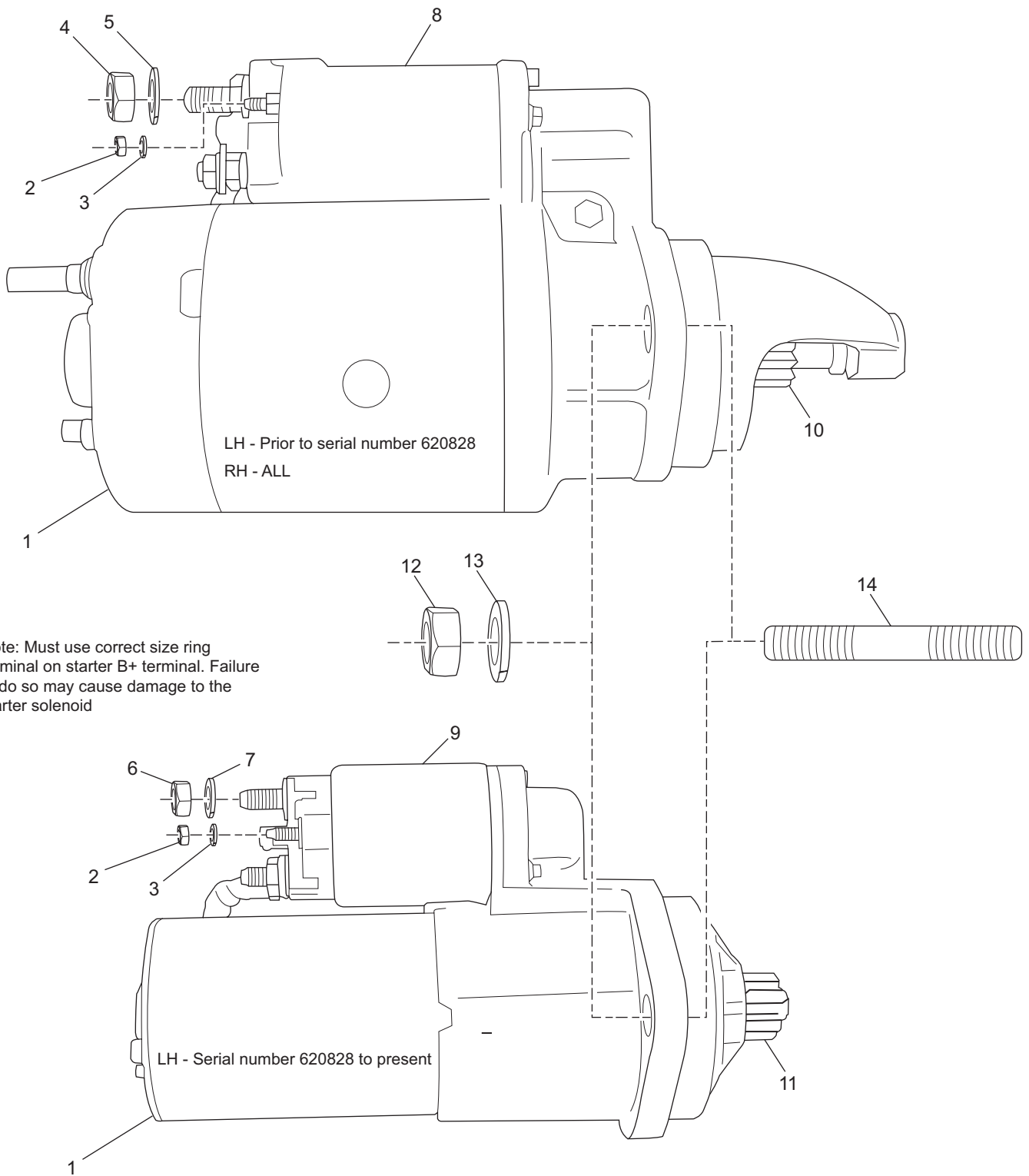
ALTERNATOR ASSEMBLY (MANDO) (Thru '03) - FIGURE 12



ALTERNATOR ASSEMBLY (MANDO) (Thru '03) - FIGURE 12

ITEM	PART NUMBER	DESCRIPTION	QUANTITY
1	39200	Alternator Assembly , (55 amp), Mando	1
2	39201	Nut , pulley to shaft	1
3	39202	Lockwasher , pulley to shaft nut	1
4	39203	Pulley , drive	1
5	39204	Spacer , pulley to fan	1
6	39205	Fan , cooling	1
7	39206	Spacer , cooling fan to frame	1
8	39207	Housing Assembly , front	1
9	39209	Screw , retainer attaching	3
10	39210	Bearing , rotor	1
11	39211	Retainer , bearing	1
12	39212	Rotor Assembly	1
13	39213	Stator Assembly	1
14	39217	Screw Set , rectifier attaching	1
15	39216	Rectifier Assembly	1
16	39214	Housing Assembly , rear	1
17	39222	Bolt , housing assembly	4
18	39218	Insulator , terminal screw	1
19	39219	Nut , terminal screw	5
20	39221	Insulator , terminal screw	1
21	39220	Condenser Assembly	1
22	39224	Brush	2
23	39225	Brush Spring	2
24	39223	Voltage Regulator Assembly	1
25	39226	Screw , regulator attaching	2
26	39218	Insulator , terminal screw	1
27	39227	Strap , Terminal-L	1
28	39219	Nut , terminal screw	2
29	39228	Cover , regulator	1
30	39229	Screw , cover attaching	1
31	39230	Strap , Terminal-B	1
32	39231	Nut , terminal screw	1

STARTER ASSEMBLY COMPONENTS - FIGURE 13

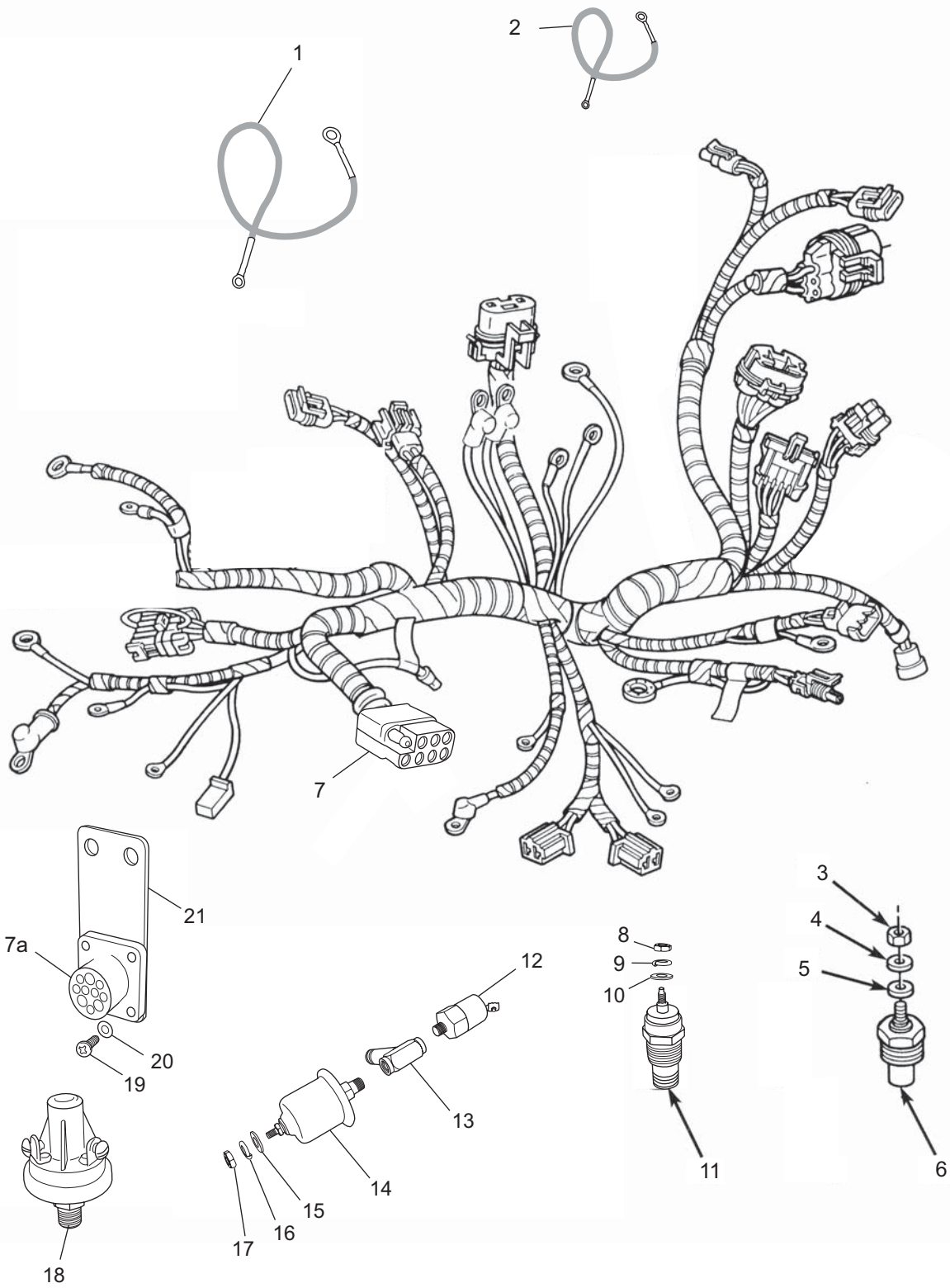


PC57B016CR

STARTER ASSEMBLY COMPONENTS - FIGURE 13

ITEM	PART NUMBER	DESCRIPTION	QUANTITY
1	RA122009	Starter Motor Assembly (LH rotation)	1
1	RA122008	Starter Motor Assembly (RH rotation)	1
2	RS7036	Nut , solenoid terminal	1
3	93003000	Lockwasher , solenoid terminal	1
4	RS7019	Nut , solenoid terminal	1
5	RS7081	Lockwasher , solenoid terminal	1
6	RS7018	Nut , solenoid terminal	1
7	RS7080	Lockwasher , solenoid terminal	1
8	RU0050	Solenoid Assembly , starter	1
9	RU0050B	Solenoid Assembly , starter	1
10	RU0051	Drive Assembly , clutch (LH)	1
10	RU0052	Drive Assembly , clutch (RH)	1
11	TBD	Drive , starter	1
12	RS1029	Nut , starter mounting	2
13	RS2181	Lockwasher , starter mounting	2
14	R031018	Stud , starter mounting	2

WIRING HARNESS ASSEMBLIES and SENDERS - FIGURE 14

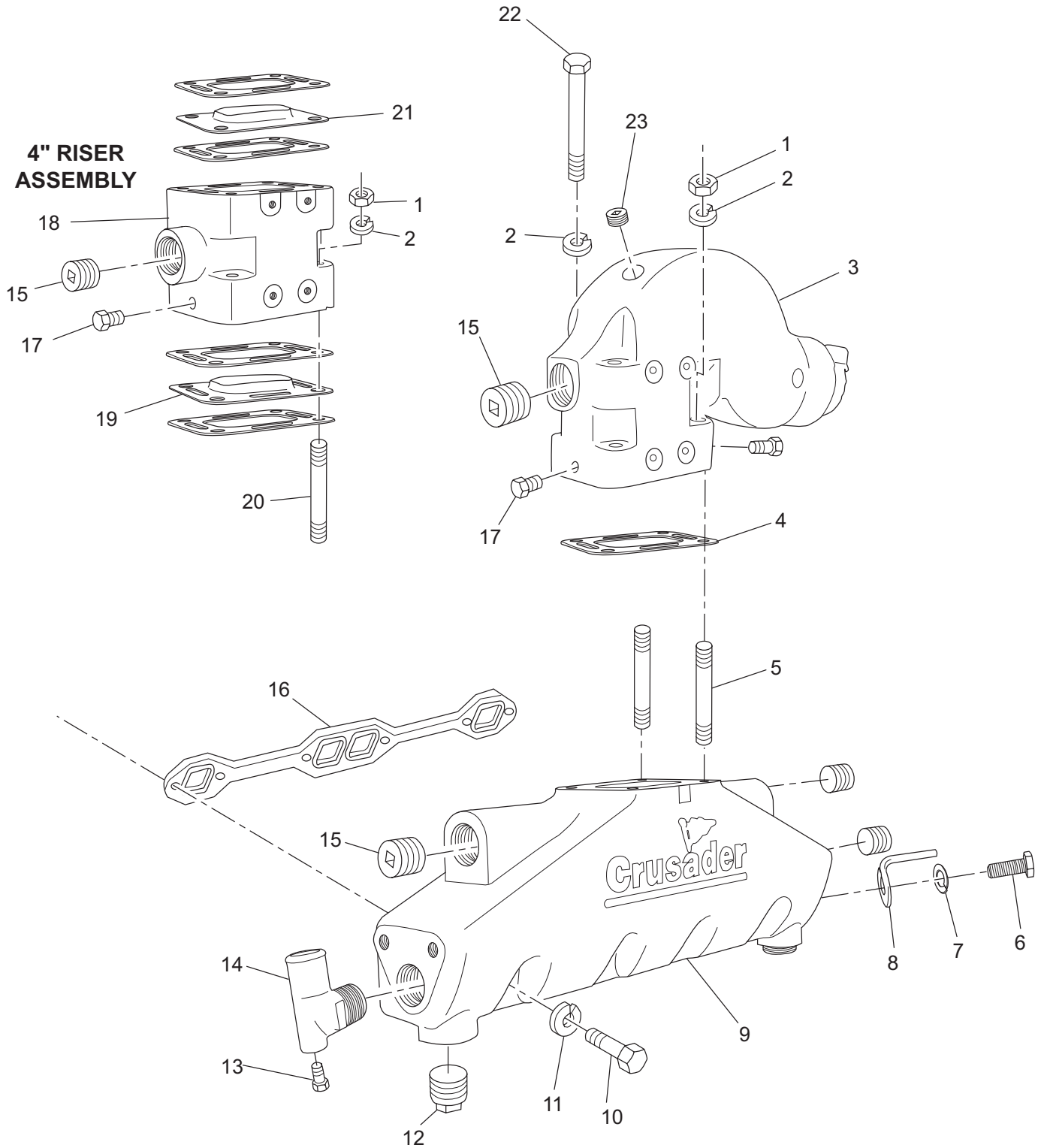


57carb009

WIRING HARNESS ASSEMBLIES and SENDERS - FIGURE 14

ITEM	PART NUMBER	DESCRIPTION	QUANTITY
1	R101013	Wire , 14ga, Green, starter relay grd (Thru '03)	1
1	R101013	Wire , 14ga, Green, H.E. grd (FWC)	1
2	part of item #7	Wire , 10ga, Red, c.b. to starter relay (Thru '03)	1
3	NSS	Nut , temp switch terminal	1
4	NSS	Lockwasher , temp switch terminal	1
5	NSS	Washer , temp switch terminal	1
6	R020014A	Switch , engine coolant temperature (210°)	1
7	R121026H	Harness , engine (Thru '03)	1
7a	RA121080	Harness , engine ('04)	1
NI	NSS	Wire , 16ga, Red, 15", resistor to coil	1
NI	NSS	Fuse , 5A slow blow	1
8	RS1540	Nut , sender terminal	1
9	RS2197	Lockwasher , sender terminal	1
10	RS2746	Washer , sender terminal	1
11	R020003	Sender , temperature	1
11	22701	Sender , temperature (VDO)	AR
12	R020015A	Switch , oil pressure	1
13	R024205	Tee , sender attaching	1
14	R020001	Sender , oil pressure	1
14	22702	Sender , oil pressure (VDO)	AR
15	RS2746	Washer , sender terminal	1
16	RS2197	Lockwasher , sender terminal	1
17	RS1540	Nut , sender terminal	1
18	R153005	Switch , oil pressure, fuel pump intrlk	1
19	RS5115	Screw , main harness attaching	4
20	R096142	Washer , main harness attaching	4
21	R090291	Bracket , 10-pin main harness attaching ('04)	4
N.I.	R127039	Clamp , formed	2
N.I.	RS0302	Bolt , clamp attaching, head	1
N.I.	RS2180	Lockwasher , clamp attaching, head	1
N.I.	90105075	Bolt , clamp attaching, block	1
N.I.	RS2178	Lockwasher , clamp attaching, block	1

EXHAUST MANIFOLD and COMPONENTS - FIGURE 15



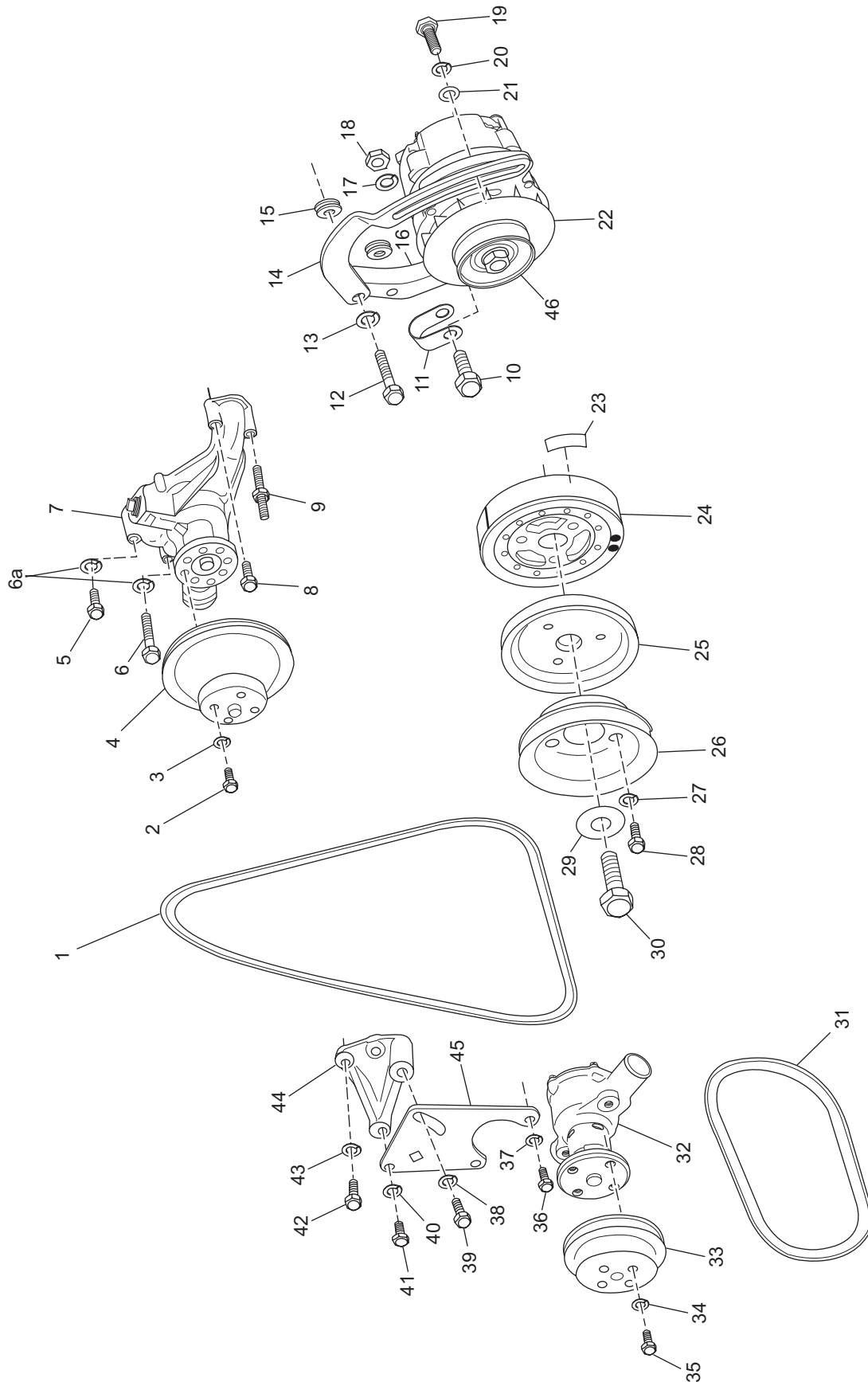
57carb010

EXHAUST MANIFOLD and COMPONENTS - FIGURE 15

ITEM	PART NUMBER	DESCRIPTION	QUANTITY
1	RS1028	Nut , elbow attaching stud	8
2	RS2180	Lockwasher , elbow attaching stud	8
3	R029015	Elbow , exhaust manifold	2
4	98127	Gasket , manifold/elbow/riser	4
5	20827	Stud , exhaust elbow attaching	4
6	RS0302	Bolt , wire loom attaching	2
7	RS2180	Lockwasher , attaching bolt	2
8	R096144	Bracket , spark plug wire loom	2
9	98243	Manifold , exhaust	2
10	RS0316	Bolt , manifold to cylinder head	8
11	RS2180	Lockwasher , manifold to cylinder head	8
12	103876	Plug , exhaust manifold (1")	AR
13	RS3552	Plug , drain	2
14	30624	Fitting , water elbow (90 degree)	2
15	RS3556	Plug , exhaust elbow (3/4")	AR
16	96306	Gasket , manifold to cylinder head	2
17	RS3554	Plug , drain	4
18	98128	Exhaust Riser, 4"	2
19	98124A	Plate , vented	AR
20	20783	Stud , riser mounting (2 3/4")	8
21	98124	Plate , block-off	AR
22	90305500	Bolt , exhaust elbow attaching (4 3/4")	4
23	RS3539	Plug , exhaust elbow attaching	2
*	22818	4-Inch Riser Kit	1

***NOTE:** See Raw Water and Fresh Water Cooling sections for additional parts used on each cooling system for Crusader engines.

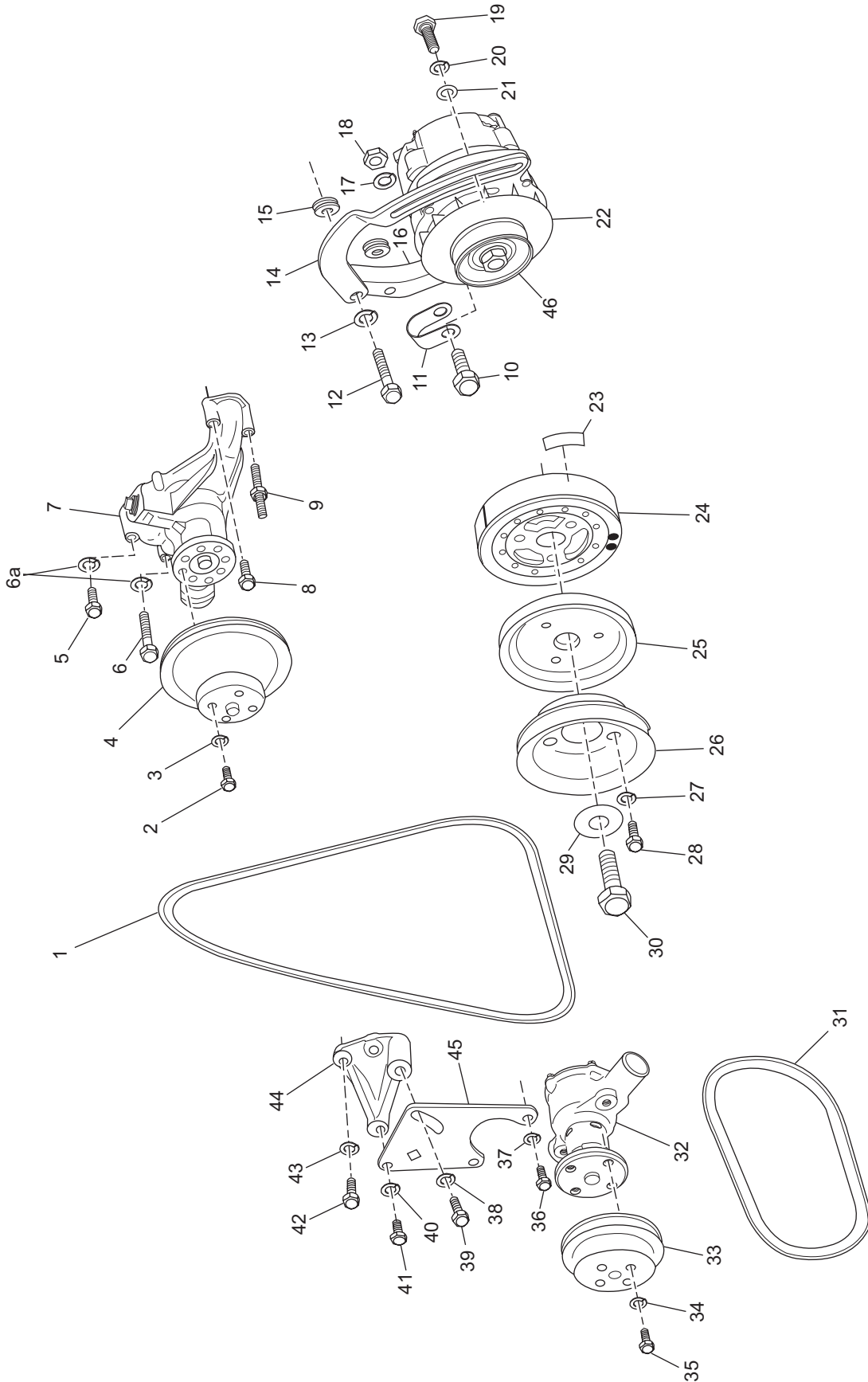
ACCESSORY DRIVE SYSTEM COMPONENTS (Thru '03) - FIGURE 16



ACCESSORY DRIVE SYSTEM COMPONENTS (Thru '03) - FIGURE 16

ITEM	PART NUMBER	DESCRIPTION	QUANTITY
1	96307	Belt , alternator drive	1
2	RS0775	Bolt , water pump pulley attaching	4
3	RS2179	Lockwasher , water pump pulley attaching bolt	4
4	R065049	Pulley , water pump	1
5	RS0308	Bolt , water pump mounting	1
6	90305300	Bolt , water pump mounting	1
6a	RS2180	Lockwasher , water pump mounting	2
7	RA057027	Water Pump Assembly	1
8	90305275	Bolt , water pump mounting	1
9	R095026	Stud , water pump mounting	1
10	RS0355	Bolt , alternator mounting (lower)	1
11	98184	Clip , alternator adjusting	1
12	RS0307	Bolt , alternator brkt mounting	2
13	RS2180	Lockwasher , alternator brkt mounting	2
14	98246	Strap , alternator adjusting/mounting	1
15	92300020	Spacer , alternator bracket mounting	4
16	98245	Bracket , alternator mounting	1
17	RS2182	Lockwasher , alternator mounting	1
18	95500000	Nut , alternator mounting	1
19	RS0282	Bolt , alternator mounting (upper)	1
20	RS2179	Lockwasher , alternator mounting bolt	1
21	92200020	Washer , alternator mounting bolt	1
22	39200	Alternator Assembly (55 amp)	1
23	R143151	Decal , Timing (5.7L) use w/Balancer R064010A	1
24	R064010	Balancer , crankshaft ('96-'01)	1
24	R064010A	Balancer , crankshaft ('02-newer)	1
25	R065048	Pulley , alternator drive belt	1
26	R065046	Pulley , raw water pump belt	1
27	RS2180	Lockwasher , pulley mounting bolts	3
28	90315100	Bolt , rwp/alt drive belt pulley mounting	3
29	R096074	Washer , crankshaft balancer	1
30	R009091	Bolt , crankshaft balancer	1
31	97178	Belt , raw water pump drive	1
32	RA057031	Raw Water Pump Assembly	1
33	R065047	Pulley , raw water pump	1
34	RS2179	Lockwasher , raw water pump pulley attaching bolt	3
35	RS0775	Bolt , raw water pump pulley attaching	3
36	RS0282	Bolt , raw water pump mounting	2

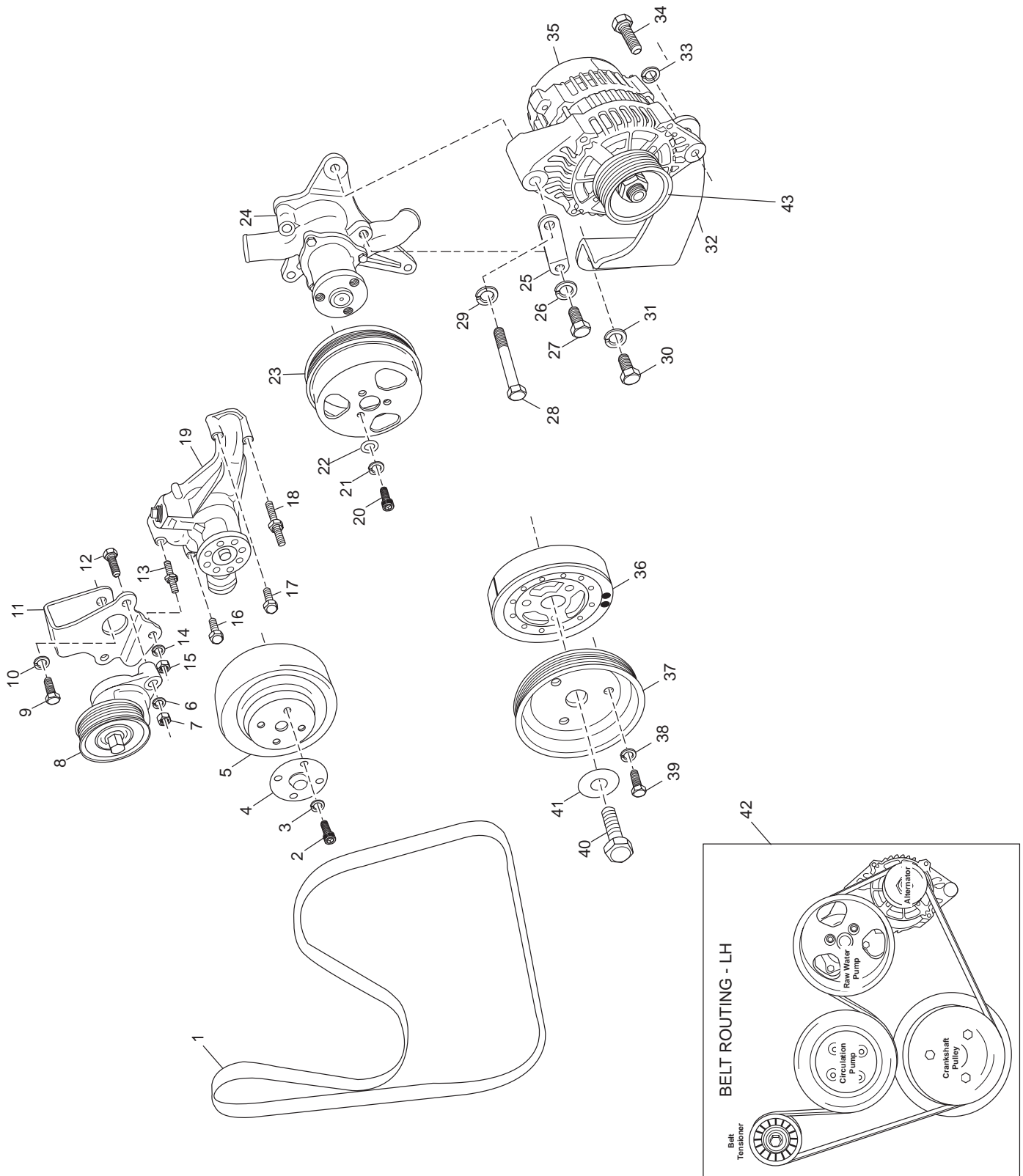
ACCESSORY DRIVE SYSTEM COMPONENTS (Thru '03) - FIGURE 16 (cont'd)



ACCESSORY DRIVE SYSTEM COMPONENTS (Thru '03) - FIGURE 16 (cont'd)

ITEM	PART NUMBER	DESCRIPTION	QUANTITY
37	RS2179	Lockwasher , raw water pump mounting bolt	2
38	RS2181	Lockwasher , bracket attaching bolt	1
39	RS0327	Bolt , bracket attaching	1
40	RS2181	Lockwasher , bracket attaching bolt	1
41	RS0327	Bolt , bracket attaching	1
42	RS0307	Bolt , bracket attaching	2
43	RS2180	Lockwasher , bracket attaching bolt	2
44	R090264	Bracket , raw water pump	1
45	R090263	Bracket , raw water pump	1
46	R065038	Pulley , Alternator 3/8" Drive Belt	1
46	R065038A	Pulley , Alternator 1/2" Drive Belt	1

ACCESSORY DRIVE SYSTEM COMPONENTS (SERPENTINE - LH) ('04) - FIGURE 17

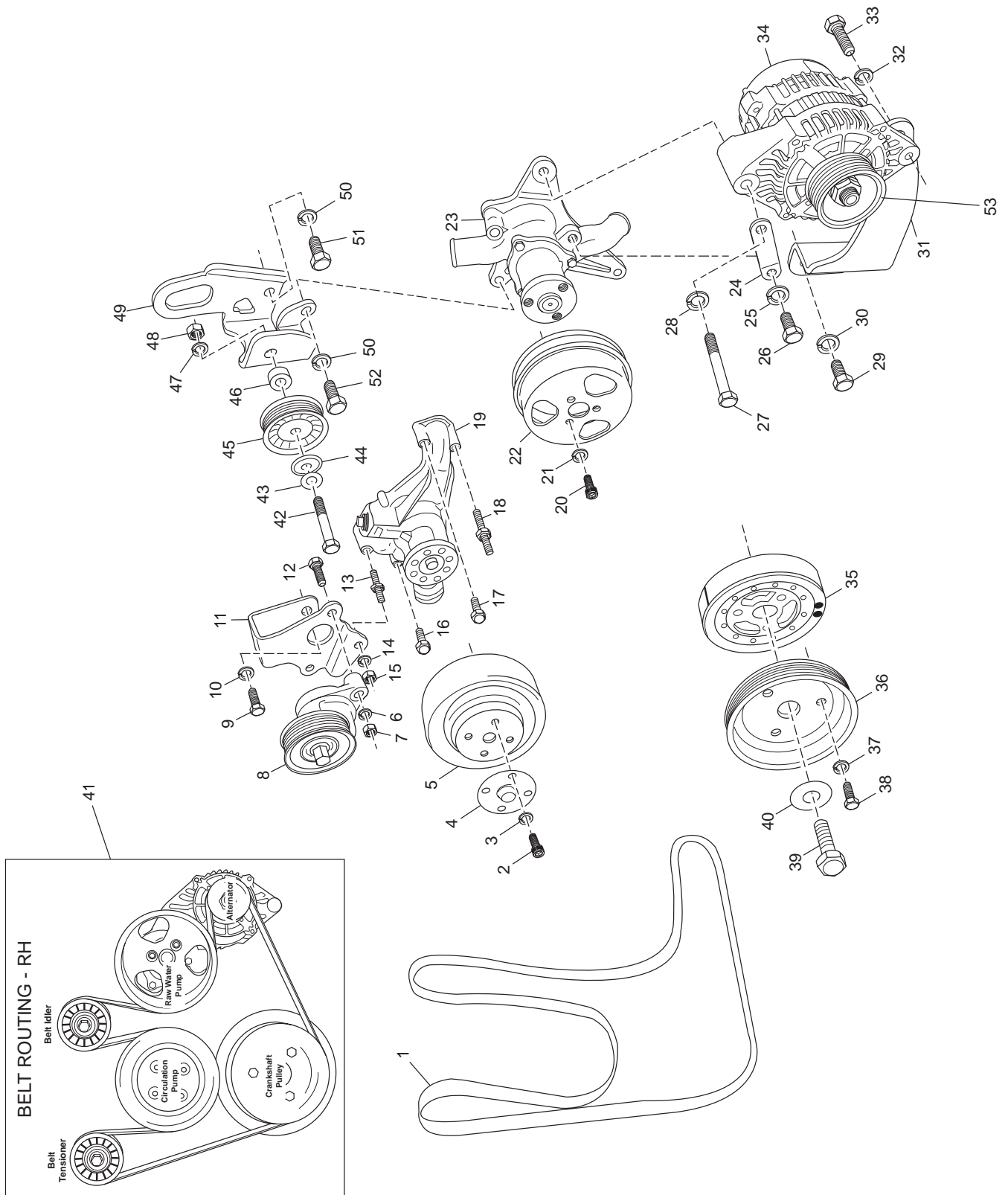


57carb011_04

ACCESSORY DRIVE SYSTEM COMPONENTS (SERPENTINE - LH) ('04) - FIGURE 17

ITEM	PART NUMBER	DESCRIPTION	QUANTITY
1	R066028	Belt , serpentine drive, 5.7L - LH	1
2	90274075	Bolt , water pump pulley attaching	4
3	RS2307	Lockwasher , water pump pulley attaching bolt	4
4	R096147	Cover , water pump pulley	1
5	R065053	Pulley , water pump	1
6	RS2180	Lockwasher , belt tensioner attaching	2
7	RS1028	Nut , belt tensioner attaching	2
8	RA068001	Belt Tensioner Assembly	1
9	RS0304	Bolt , tensioner bracket attaching	1
10	RS2180	Lockwasher , tensioner bracket attaching	1
11	R090287B	Bracket , belt tensioner mounting	1
12	RS0308	Bolt , belt tensioner attaching	2
13	R095026	Stud , water pump mounting	1
14	RS2179	Lockwasher , belt tensioner attaching	2
15	RS1527	Nut , belt tensioner attaching	2
16	90305275	Bolt , water pump mounting	1
17	90305275	Bolt , water pump mounting	1
18	R095026	Stud , water pump mounting	1
19	RA057027	Water Pump Assembly	1
20	99335016	Bolt , RWP pulley attaching	3
21	93934000	Lockwasher , RWP pulley attaching	3
22	92934000	Flatwasher , RWP pulley attaching	3
23	R065052	Pulley , raw water pump	1
24	RA057034	Raw Water Pump Assembly	1
25	R090289	Bracket , alternator mounting	1
26	RS2180	Lockwasher , alternator mounting bolt	1
27	RS0304	Bolt , alternator mounting	1
28	RS0311	Bolt , alternator mounting	1
29	RS2180	Lockwasher , alternator mounting bolt	1
30	RS0304	Bolt , alternator bracket attaching	1
31	RS2180	Lockwasher , alternator bracket attaching bolt	1
32	R090288	Bracket , alternator mounting	1
33	RS7069	Lockwasher , alternator mounting bolt	1
34	RS6738	Bolt , alternator mounting	1
35	RA097007C	Alternator Assembly (70 amp serpentine)	1
36	R064010A	Balancer , crankshaft	1
37	R065051	Pulley , serpentine drive belt	1
38	RS2180	Lockwasher , drive belt pulley attaching bolt	3
39	90315100	Bolt , drive belt pulley attaching	3
40	R009091	Bolt , crankshaft balancer	1
41	R096074	Washer , crankshaft balancer	1
N.I.	97224000	Nut , alternator wire attaching	2
N.I.	93920000	Lockwasher , alternator wire attaching	2
42	R143165	Decal , belt routing (5.7L)	1
43	R065055	Pulley , Alternator (5.X/6.0L), Serpentine	1

ACCESSORY DRIVE SYSTEM COMPONENTS (SERPENTINE - RH) ('04) - FIGURE 18

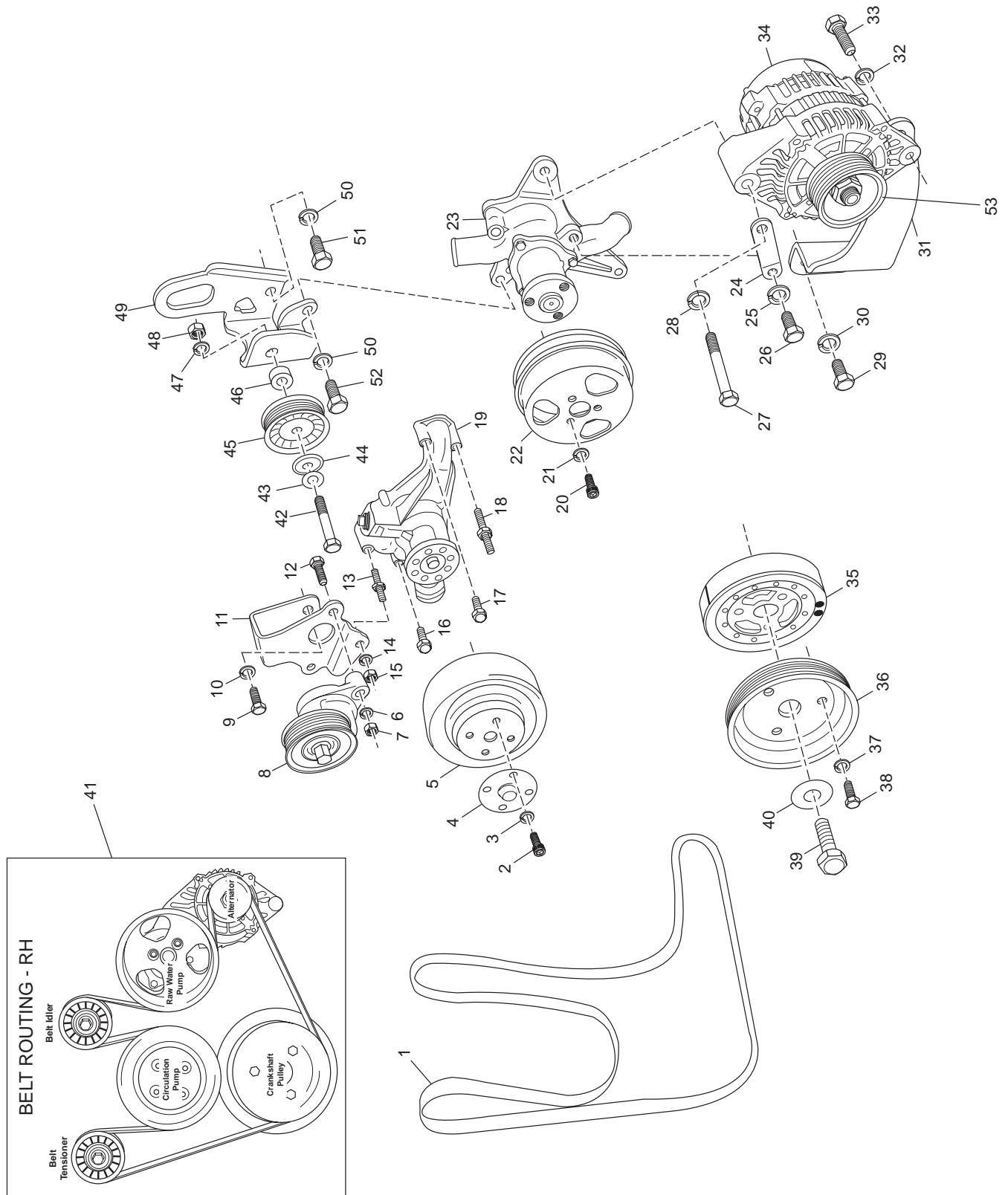


57carb011_04RH

ACCESSORY DRIVE SYSTEM COMPONENTS (SERPENTINE - RH) ('04) - FIGURE 18

ITEM	PART NUMBER	DESCRIPTION	QUANTITY
1	R066029A	Belt , serpentine drive, 5.7L (RH)	1
2	90274075	Bolt , water pump pulley attaching	4
3	RS2307	Lockwasher , water pump pulley attaching bolt	4
4	R096147	Cover , water pump pulley	1
5	R065053	Pulley , water pump	1
6	RS2180	Lockwasher , belt tensioner attaching	2
7	RS1028	Nut , belt tensioner attaching	2
8	RA068001	Belt Tensioner Assembly	1
9	RS0304	Bolt , tensioner bracket attaching	1
10	RS2180	Lockwasher , tensioner bracket attaching	1
11	R090287B	Bracket , belt tensioner mounting	1
12	RS0308	Bolt , belt tensioner attaching	2
13	R095026	Stud , water pump mounting	1
14	RS2179	Lockwasher , belt tensioner attaching	2
15	RS1527	Nut , belt tensioner attaching	2
16	90305275	Bolt , water pump mounting	1
17	90305275	Bolt , water pump mounting	1
18	R095026	Stud , water pump mounting	1
19	RA057027	Water Pump Assembly	1
20	99335016	Bolt , RWP pulley attaching	3
21	93934000	Lockwasher , RWP pulley attaching	3
22	R065052A	Pulley , raw water pump (RH)	1
23	RA057034	Raw Water Pump Assembly	1
24	R090289	Bracket , alternator mounting	1
25	RS2180	Lockwasher , alternator mounting bolt	1
26	RS0304	Bolt , alternator mounting	1
27	RS0311	Bolt , alternator mounting	1
28	RS2180	Lockwasher , alternator mounting bolt	1
29	RS0304	Bolt , alternator bracket attaching	1
30	RS2180	Lockwasher , alternator bracket attaching bolt	1
31	R090288	Bracket , alternator mounting	1
32	RS7069	Lockwasher , alternator mounting bolt	1
33	RS6738	Bolt , alternator mounting	1

ACCESSORY DRIVE SYSTEM COMPONENTS (SERPENTINE - RH) ('04) - FIGURE 18 (cont'd)

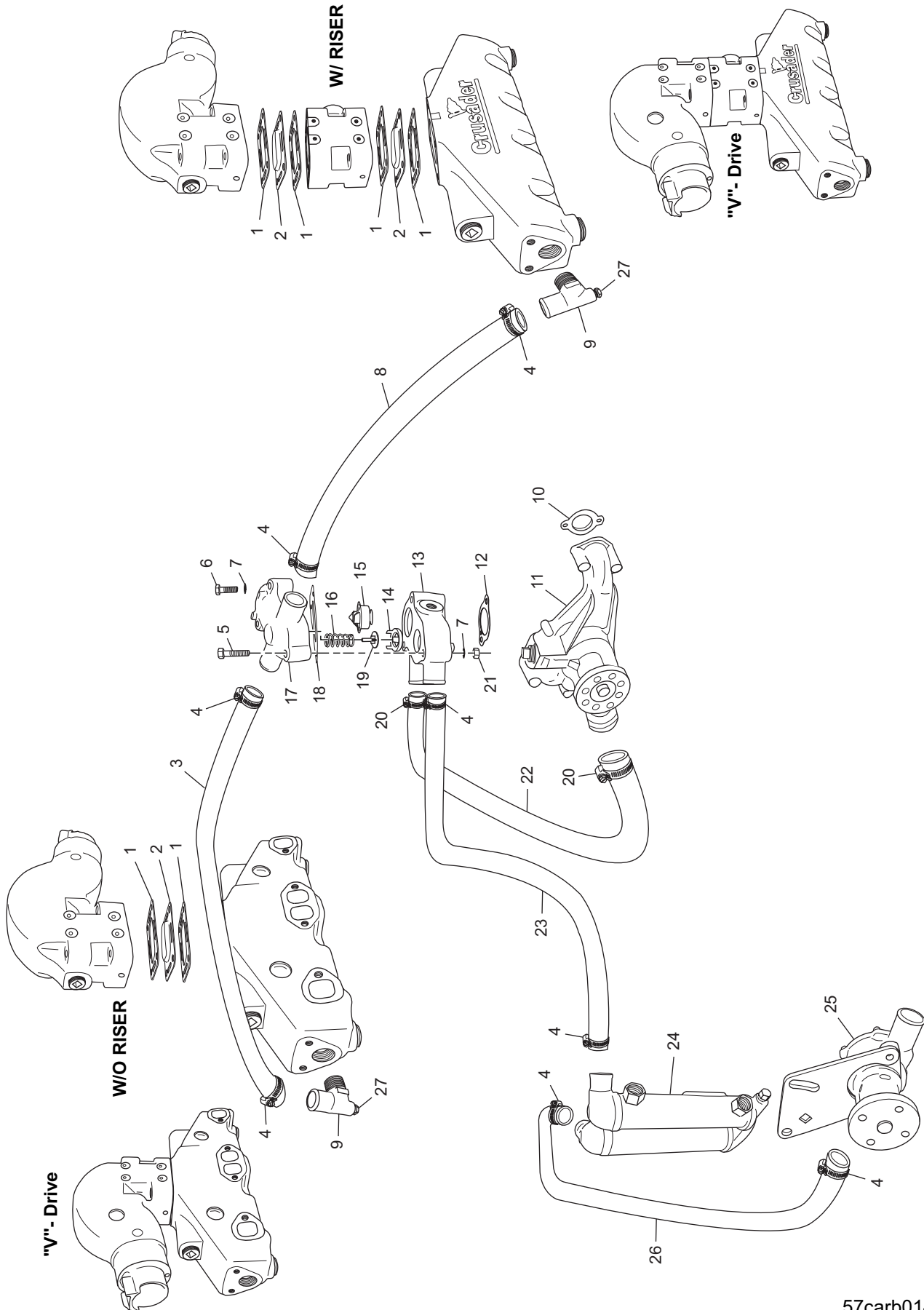


57carb011_04RH

ACCESSORY DRIVE SYSTEM COMPONENTS (SERPENTINE - RH) ('04) - FIGURE 18 (cont'd)

ITEM	PART NUMBER	DESCRIPTION	QUANTITY
34	RA097007C	Alternator Assembly (70 amp serpentine)	1
35	R064010A	Balancer , crankshaft	1
36	R065051	Pulley , serpentine drive belt	1
37	RS2180	Lockwasher , drive belt pulley attaching bolt	3
38	90315100	Bolt , drive belt pulley attaching	3
39	R009091	Bolt , crankshaft balancer	1
40	R096074	Washer , crankshaft balancer	1
N.I.	97224000	Nut , alternator wire attaching	2
N.I.	93920000	Lockwasher , alternator wire attaching	2
41	R143165A	Decal , belt routing, 5.7L (RH)	1
42	98443050	Bolt , Idler Pulley attaching	1
43	92940000	Flat Washer , Idler Pulley attaching	1
44	R096145	Flat Washer , Idler Pulley attaching	1
45	R065054	Pulley , Idler	1
46	R062083	Spacer , Idler Pulley	1
47	93940000	Lock Washer , Idler Pulley attaching	1
48	97440000	Nut , Idler Pulley attaching	1
49	R090307	Bracket , Idler pulley 5.7 (RH)	1
50	RS2180	Lock Washer , Idler bracket attaching	2
51	RS0304	Bolt , Idler bracket attaching, upper	1
52	RS0306	Bolt , Idler bracket attaching, lower	1
53	R065055	Pulley , Alternator (5.X/6.0L), Serpentine	1

RAW WATER COOLING SYSTEM COMPONENTS (Thru '03) - FIGURE 19

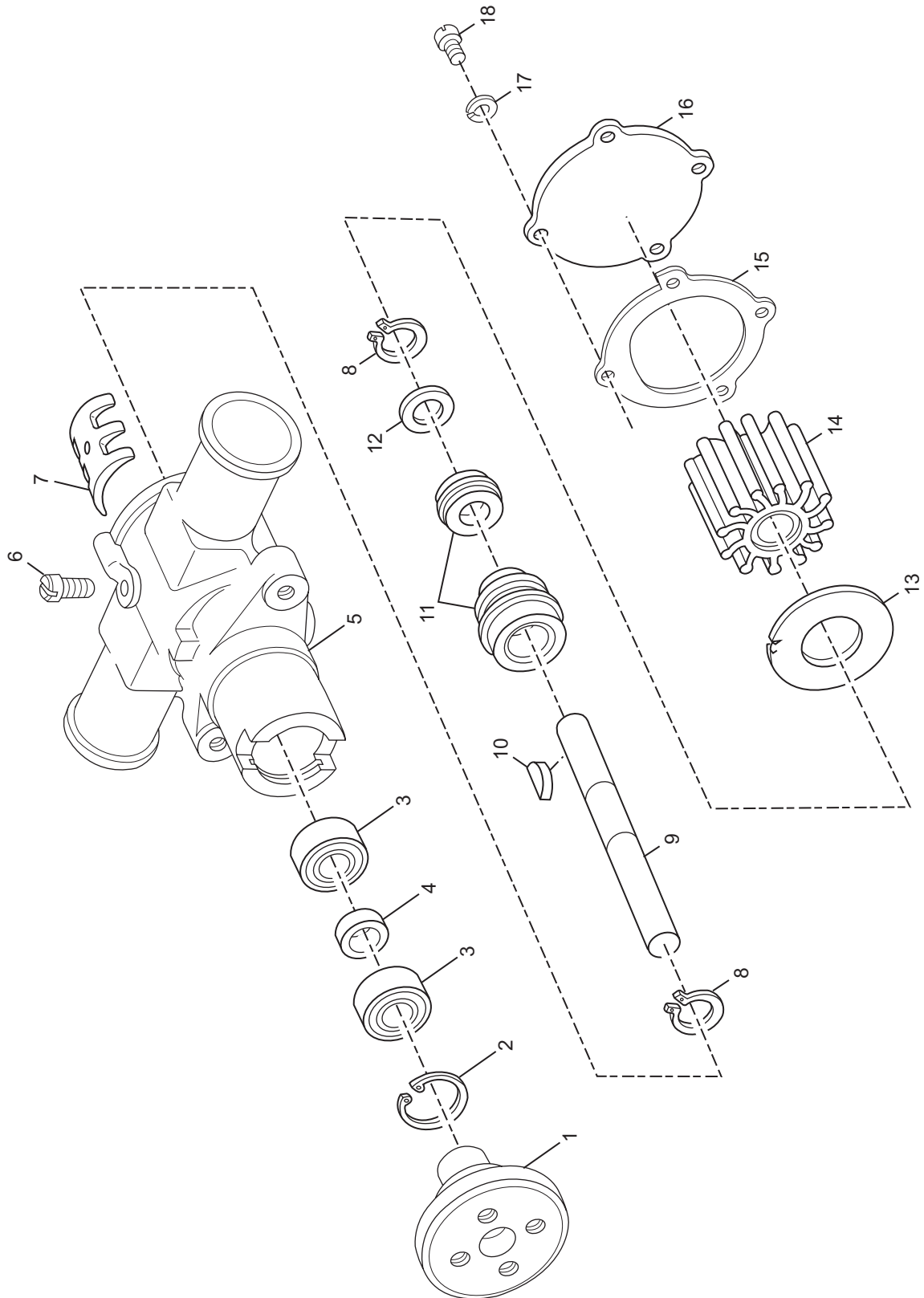


57carb014

RAW WATER COOLING SYSTEM COMPONENTS (Thru '03) - FIGURE 19

ITEM	PART NUMBER	DESCRIPTION	QUANTITY
1	98127	Gasket , elbow to riser / elbow to manifold / riser to manifold	4
2	98124A	Plate , vented	2
3	18334	Hose , thermostat housing to manifold (stbd)	1
4	RS3858	Clamp , hose	8
5	RS0314	Bolt , thermostat housing (3 1/2")	1
6	RS3016	Bolt , thermostat housing (4")	2
7	RS2180	Lockwasher , thermostat housing bolt	3
8	18333	Hose , thermostat housing to manifold (port)	1
9	30624	Fitting , 90 degree	2
10	RM0203	Gasket , water pump to engine block	2
11	RA057027	Circulating Pump Assembly	1
12	96105	Gasket , thermostat housing, lower	1
13	98552	Thermostat Housing , lower	1
N.I.	RS3551	Plug , pipe HX SOC, Brass 3/8	1
14	96065	Seat , pressure relief	1
15	R026002	Thermostat , coolant (160 degree)	1
16	96686	Spring , pressure relief	1
*	22366	Thermostat Housing Assembly, complete	1
17	97556	Thermostat Housing , upper	1
18	97361	Gasket , thermostat housing, upper	1
19	96066	Valve , pressure relief	1
20	RS3852	Clamp , hose	2
21	RS1028	Nut , thermostat housing bolt	1
22	96296	Hose , circulating pump to thermostat housing	1
23	97310	Hose , U-cooler to thermostat housing	1
24	98123	U-Cooler , raw water cooling	1
25	RA057031	Raw Water Pump Assembly	1
26	18384	Hose , raw water pump to U-cooler	1
27	RS3552	Plug , drain	2

RAW WATER COOLING PUMP (BELT-DRIVEN) (Thru '03) - FIGURE 20

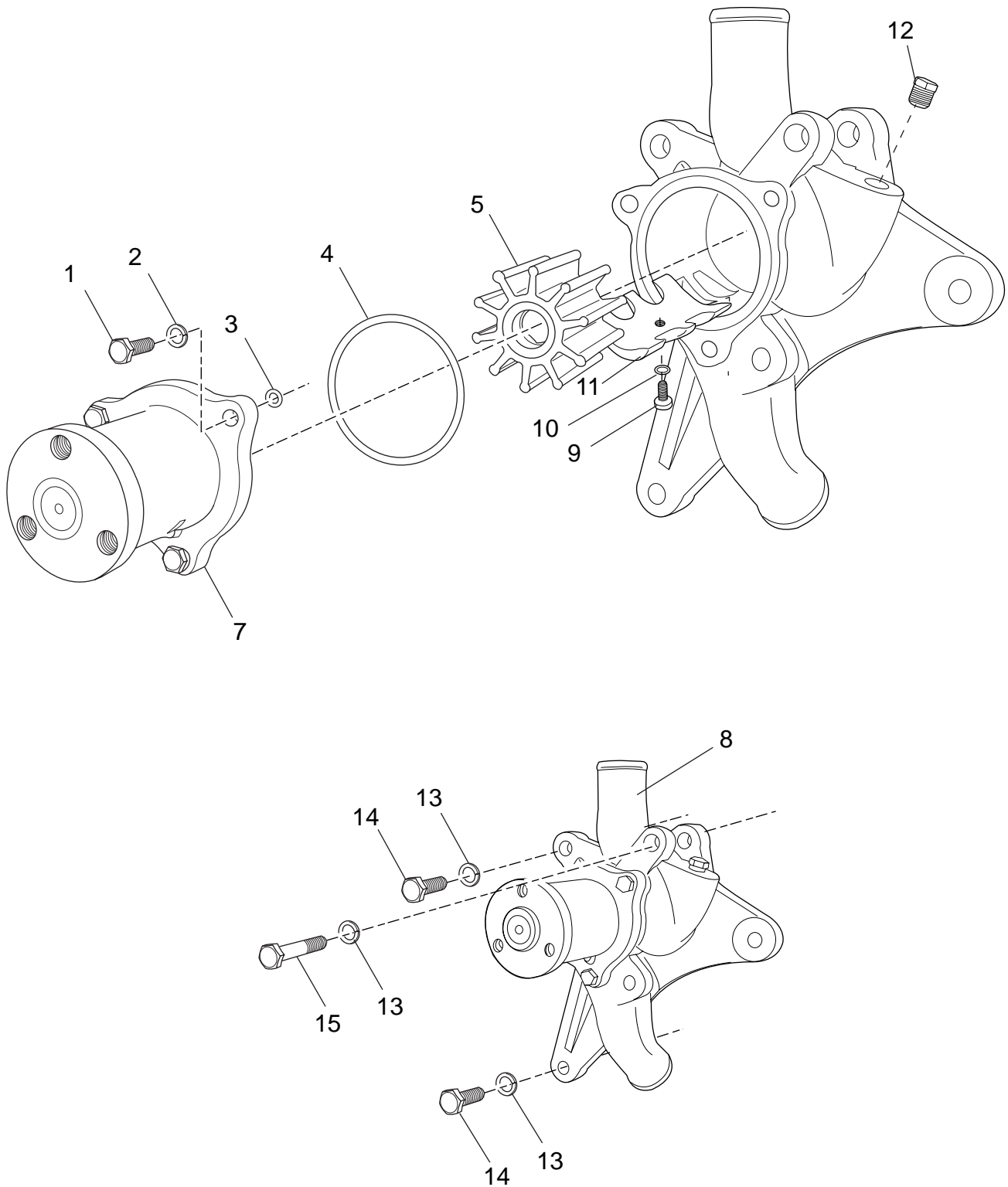


57carb012

RAW WATER COOLING PUMP (BELT-DRIVEN) (Thru '03) - FIGURE 20

ITEM	PART NUMBER	DESCRIPTION	QUANTITY
*	RA057031	Raw Water Pump Assembly	1
1	97176	Hub , drive	1
2	20294	Retainer , bearing	1
3	40054	Bearing , shaft	2
4	40053	Spacer , bearing	1
5	40062	Housing , water pump	1
6	20298	Screw , cam retaining	1
7	20303	Cam , eccentric	1
8	20293	Retainer , shaft	2
9	40061	Shaft Assembly	1
10	20295	Key , impeller drive	1
11	40057	Seal and Seat Assembly	1
12	40052	Washer	1
13	40063	Plate , wear	1
14	R061017	Impeller , water pump	1
15	RM0269	Gasket , rear cover	1
16	40060	Cover	1
16	R109055	Cover , (pumps March '05 and newer)	1
17	40051	Lockwasher , cover bolt	4
18	40071	Bolt , rear cover attaching	4
		Repair Kits:	
	RP061017	Impeller Kit (Includes Impeller and Gasket)	
	40065	Impeller Kit (Includes Impeller, Gasket, and Seal and Seat Assembly)	
	40064	Overhaul Kit , Major (Includes Impeller, Gasket, Seal and Seat Assembly, Shaft Bearings, and Bearing Retainer)	

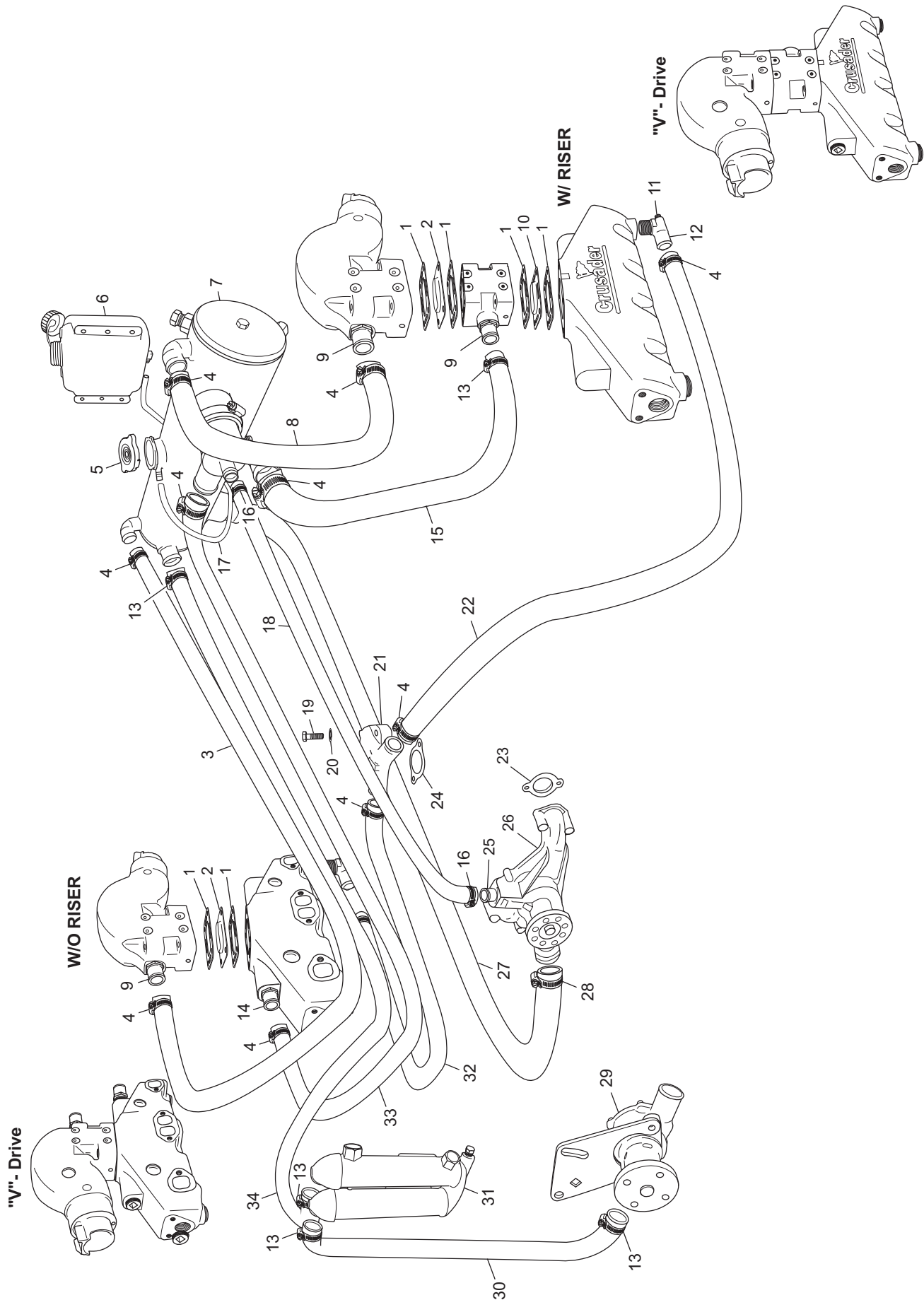
RAW WATER COOLING PUMP (SERPENTINE) ('04) - FIGURE 21



RAW WATER COOLING PUMP (SERPENTINE) ('04) - FIGURE 21

ITEM	PART NUMBER	DESCRIPTION	QUANTITY
1	TBD	Bolt , bearing housing attaching	3
2	TBD	Lockwasher , bearing housing attaching bolt	3
3	R047243	O-ring , bearing housing attaching bolt	3
4	R047242	O-ring , bearing housing attaching	1
5	RP061022	Impeller Kit (includes O-rings and impeller)	1
6	R057034	Housing , raw water pump	1
7	RA134071	Bearing Housing Assembly	1
8	RA057034	Raw Water Pump Assembly	1
9	TBD	Bolt , raw water pump cam	1
10	TBD	Lockwasher , raw water pump cam	1
11	R161018	Cam , raw water pump	1
12	RS3554	Plug , brass 1/8 NPT	1
13	RS2180	Lockwasher , raw water pump attaching	3
14	RS0306	Bolt , raw water pump attaching	2
15	RS0454	Bolt , raw water pump attaching	1

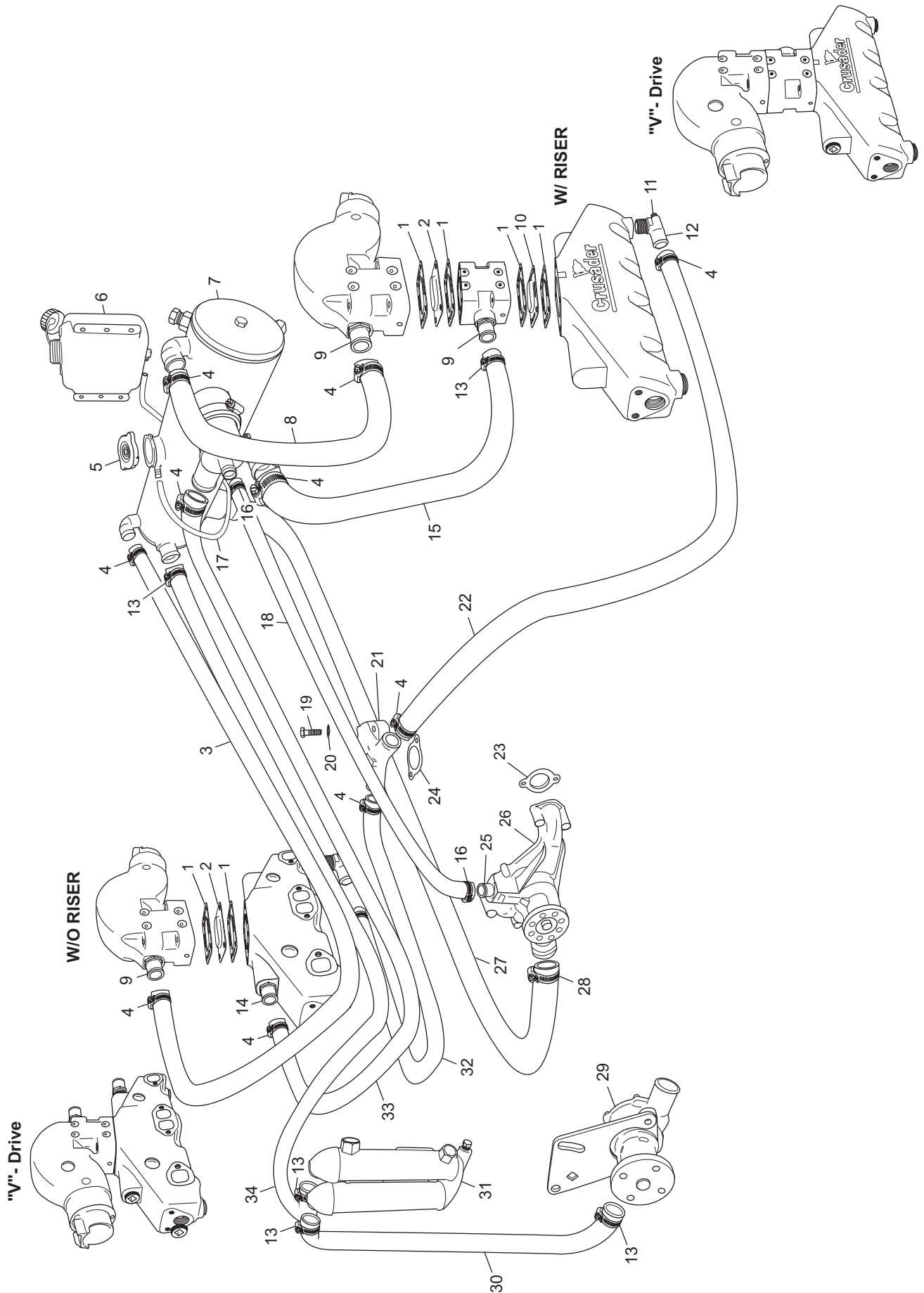
FRESH WATER COOLING SYSTEM COMPONENTS (Thru '03) - FIGURE 22



FRESH WATER COOLING SYSTEM COMPONENTS (Thru '03) - FIGURE 22

ITEM	PART NUMBER	DESCRIPTION	QUANTITY
1	98127	Gasket , elbow / riser / manifold (*Quantity - 8, w/ 4" riser)	4
2	98124	Plate , block-off	2
3	18340	Hose , heat exchanger to elbow (direct drive)	2
3	18311	Hose , heat exchanger to elbow (v-drive)	2
4	RS3858	Clamp , hose (#20) (*Quantity - 10 w/ 4" riser)	12
5	R034006A	Cap , coolant fill, heat exchanger, 7 lb.	1
6	R146002	Bottle , coolant overflow	1
7	98619	Heat Exchanger Assembly	1
8	18340	Hose , heat exchanger to elbow (direct drive)	2
8	18311	Hose , heat exchanger to elbow (v-drive)	2
9	97911	Fitting , straight (3/4" pipe) (*Quantity - 3, w/ 4" riser)	2
10	98124A	Plate , vented (used w/ 4" riser)	2
11	RS3552	Plug , drain	2
12	30624	Fitting , exhaust manifold (90 degree)	2
13	RS3851	Clamp , hose (#16) (*Quantity - 6 w/ 4" riser)	4
14	97852	Fitting , straight (1" pipe) (*not used w/ 4" riser)	2
N.I.	R024006A	Fitting , 90 degree (*used w/ 4" riser - port)	1
15	R045145	Hose , t-stat housing to 4" riser (port)	1
N.I.	18307	Hose , t-stat housing to manifold (port) w/o 4" riser	1
16	RS3864	Clamp , hose 5/8"	2
17	R045139	Hose , overflow bottle	AR
18	20806	Hose , t-stat housing to circulating pump 5/8" i.d.	AR
19	RS0306	Bolt , housing attaching	2
20	RS2180	Lockwasher , housing attaching	2
21	97851	Housing , coolant distribution	1
22	18333	Hose , waterneck to manifold (port)	1
23	RM0266	Gasket , circulating pump to engine block	2
24	96105	Gasket , housing to intake manifold	1

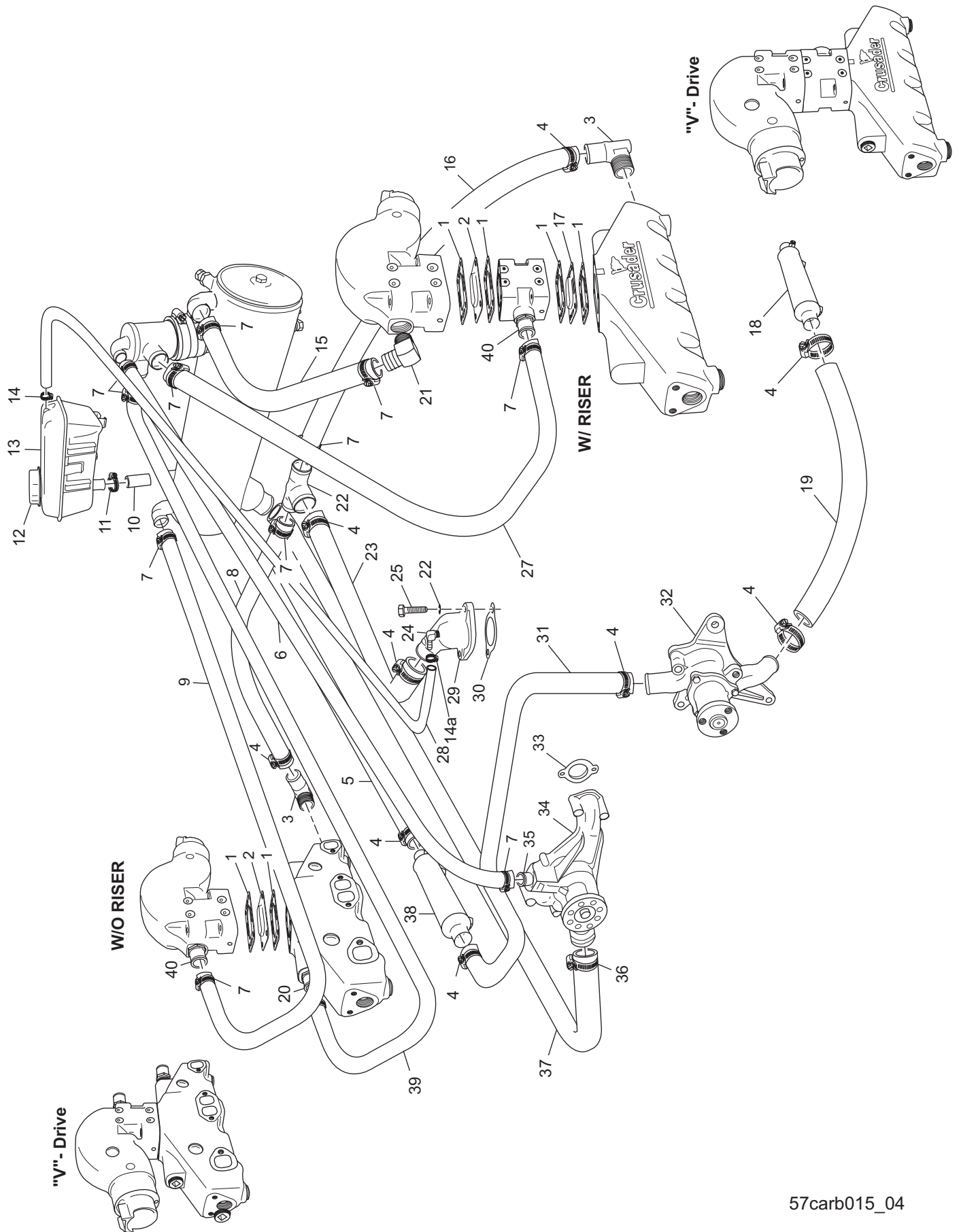
FRESH WATER COOLING SYSTEM COMPONENTS (Thru '03) - FIGURE 22 (cont'd)



FRESH WATER COOLING SYSTEM COMPONENTS (Thru '03) - FIGURE 22 (cont'd)

ITEM	PART NUMBER	DESCRIPTION	QUANTITY
25	23555	Fitting , 5/8" hose barb	1
26	RA057027	Circulating Pump Assembly	1
N.I.	RS3554	Plug , HX HD 1/8" pipe, brass	1
27	18306	Hose , heat exchanger to circulating pump	1
28	RS3855	Clamp , hose (#32)	2
29	RA057031	Raw Water Pump Assembly	1
30	18384	Hose , raw water pump to U-cooler	1
31	98570	U-Cooler , engine and transmission oil	1
32	18334	Hose , waterneck to manifold (stbd)	1
33	R045137	Hose , t-stat housing to manifold (stbd) w/o 4" riser	1
N.I.	18413	Hose , t-stat housing to 4" riser (stbd)	1
34	18390	Hose , U-cooler to heat exchanger	1

FRESH WATER COOLING SYSTEM COMPONENTS ('04) - FIGURE 23

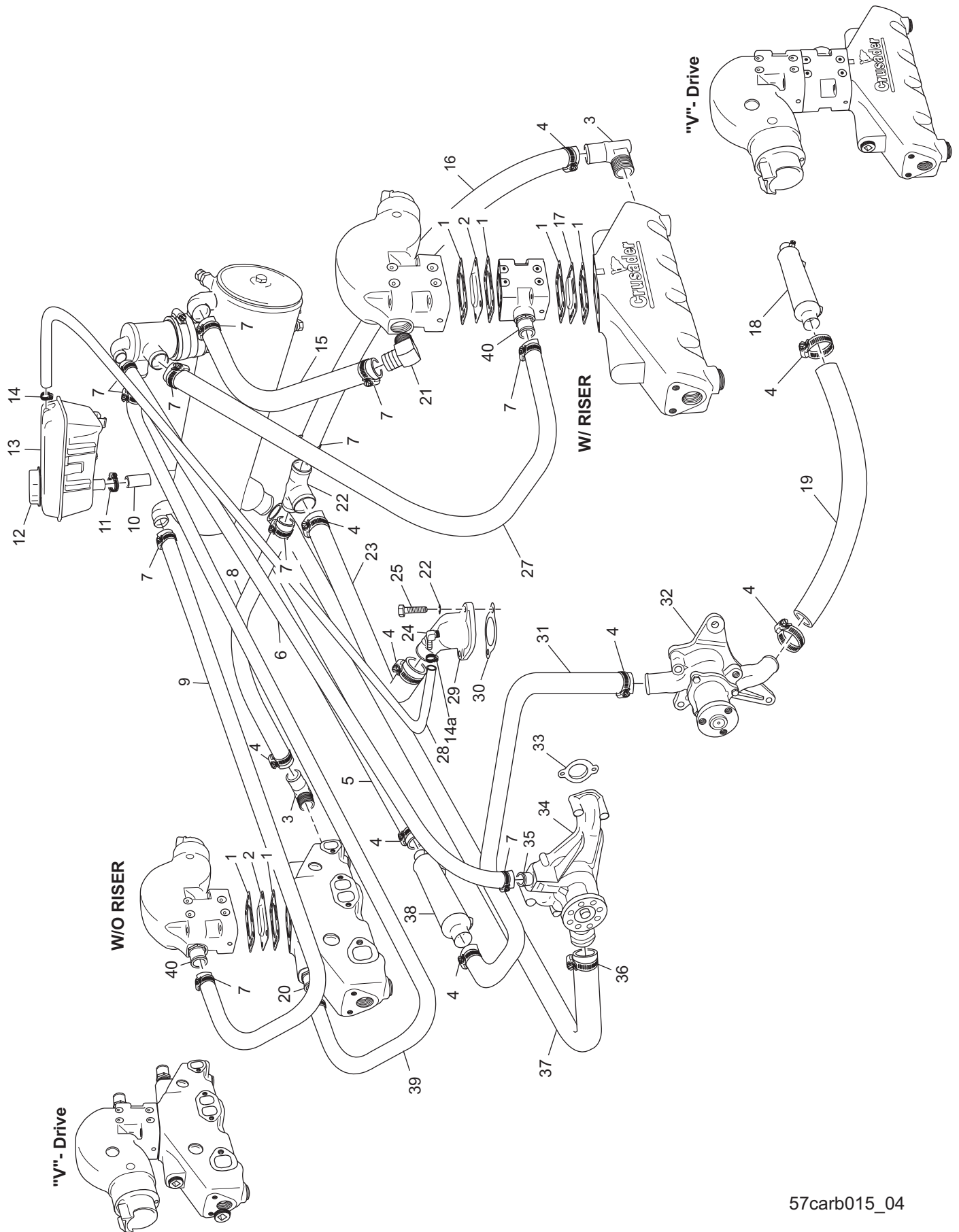


57carb015_04

FRESH WATER COOLING SYSTEM COMPONENTS ('04) - FIGURE 23

ITEM	PART NUMBER	DESCRIPTION	QUANTITY
1	98127	Gasket , elbow / riser / manifold (*Quantity - 8, w/ 4" riser)	4
2	98124	Plate , block-off	2
3	30624	Fitting , exhaust manifold (90 degree) (1" NPT X 1-1/4" hose)	2
N.I.	RS3552	Plug , drain	2
4	RS3858	Clamp , hose	10
5	18406	Hose , transmission cooler to heat exchanger	1
6	R045086	Hose , t-stat housing to circulating pump 5/8" i.d.	AR
7	RS3851	Clamp , hose	12
8	R045136B	Hose , coolant tee to exhaust manifold (starboard)	1
9	18340	Hose , heat exchanger to elbow (starboard) (direct drive)	1
9	TBD	Hose , heat exchanger to elbow (starboard) (v-drive)	1
10	R045153	Hose , degas bottle to heat exchanger	1
11	RS3854	Clamp , hose	2
12	R034045	Cap , degas bottle	1
13	R146001	Bottle , degas	1
14	R127087	Clamp , hose	1
14a	RS3870	Clamp , hose	1
15	R045165	Hose , heat exchanger to elbow (Port) (direct drive)	1
15	TBD	Hose , heat exchanger to elbow (Port) (v-drive)	1
16	R045136	Hose , coolant tee to exhaust manifold (port)	1
17	98124A	Plate , vented (used w/ 4" riser)	2
18	R147049	Cooler , engine oil	1
19	R045159	Hose , engine oil cooler to raw water pump	1
20	R024212	Fitting , straight (1" NPT X 1-1/4" hose)	3
21	R024006A	Fitting , 90 degree (3/4" NPT X 1" hose)	1
22	R024054C	Tee , coolant, 1-1/4 x 1 x 1	1
23	R045144A	Hose , water neck to coolant tee	1
24	R024055	Fitting , 90 degree, water neck	1
25	RS0304	Bolt , water neck attaching	2
26	RS2180	Lockwasher , water neck attaching	2

FRESH WATER COOLING SYSTEM COMPONENTS ('04) - FIGURE 23 (cont'd)

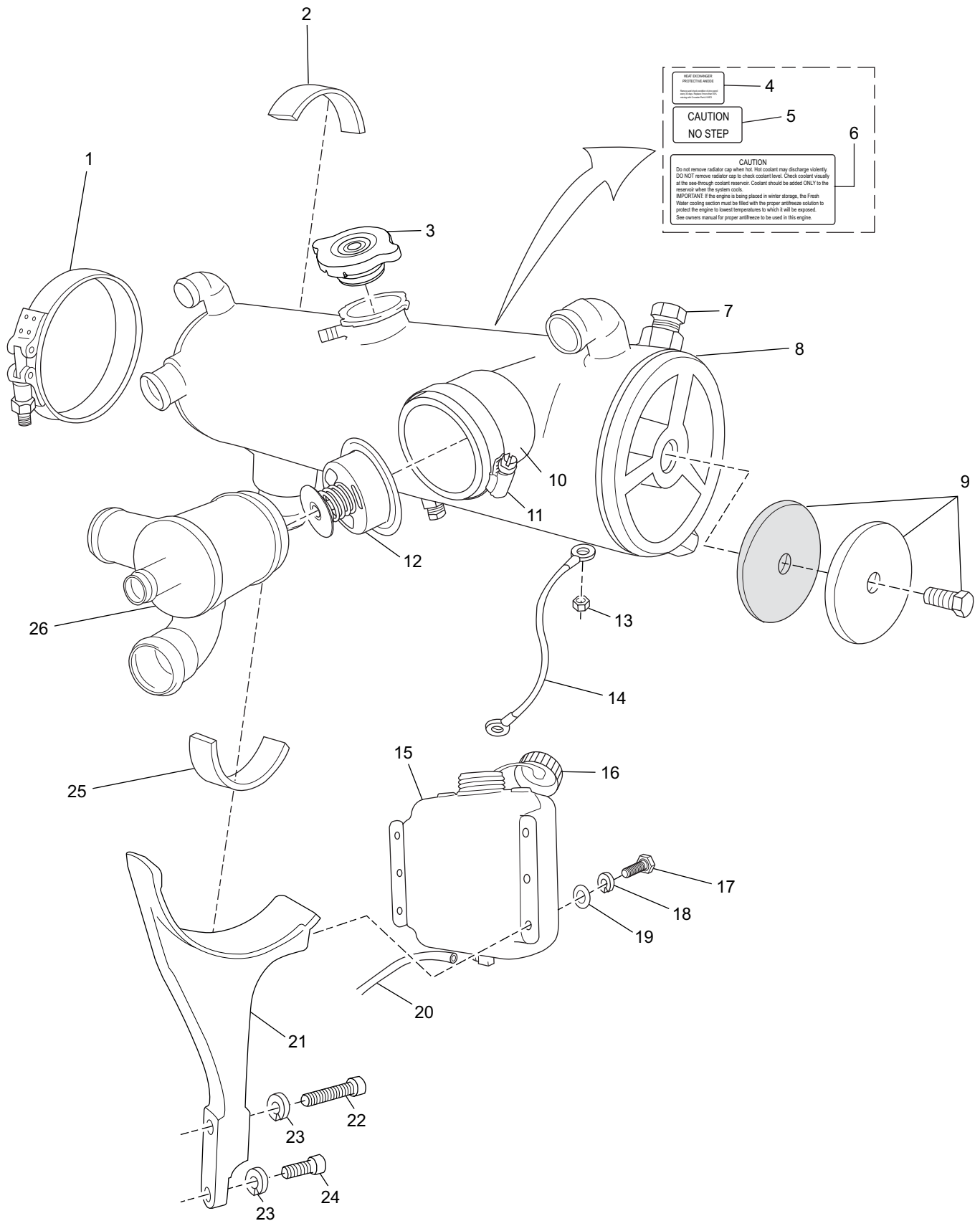


57carb015_04

FRESH WATER COOLING SYSTEM COMPONENTS ('04) - FIGURE 23 (cont'd)

ITEM	PART NUMBER	DESCRIPTION	QUANTITY
27	TBD	Hose , t-stat housing to 4" riser (port)	1
N.I.	R045157A	Hose , t-stat housing to manifold w/o 4" riser (port)	1
28	R045132	Hose , degas bottle to water neck fitting	AR
29	R025015B	Water Neck	1
30	96105	Gasket , water neck	1
31	R045166	Hose , raw water pump to transmission cooler	1
32	RA057034	Raw Water Pump	1
33	RM0266	Gasket , water pump to engine block	2
34	RA057027	Water Pump Assembly	1
35	23555	Fitting , 5/8" hose barb	2
36	RS3852	Clamp , hose (#32)	2
37	R045146A	Hose , heat exchanger to circulating pump	1
38	R147006	Cooler , transmission oil	1
39	R045157A	Hose , t-stat housing to manifold w/o 4" riser (starboard)	1
N.I.	TBD	Hose , t-stat housing to 4" riser (starboard)	1
40	R024073	Fitting , straight (3/4" NPT X 1" hose)	1

HEAT EXCHANGER and COMPONENTS (Thru '03) - FIGURE 24

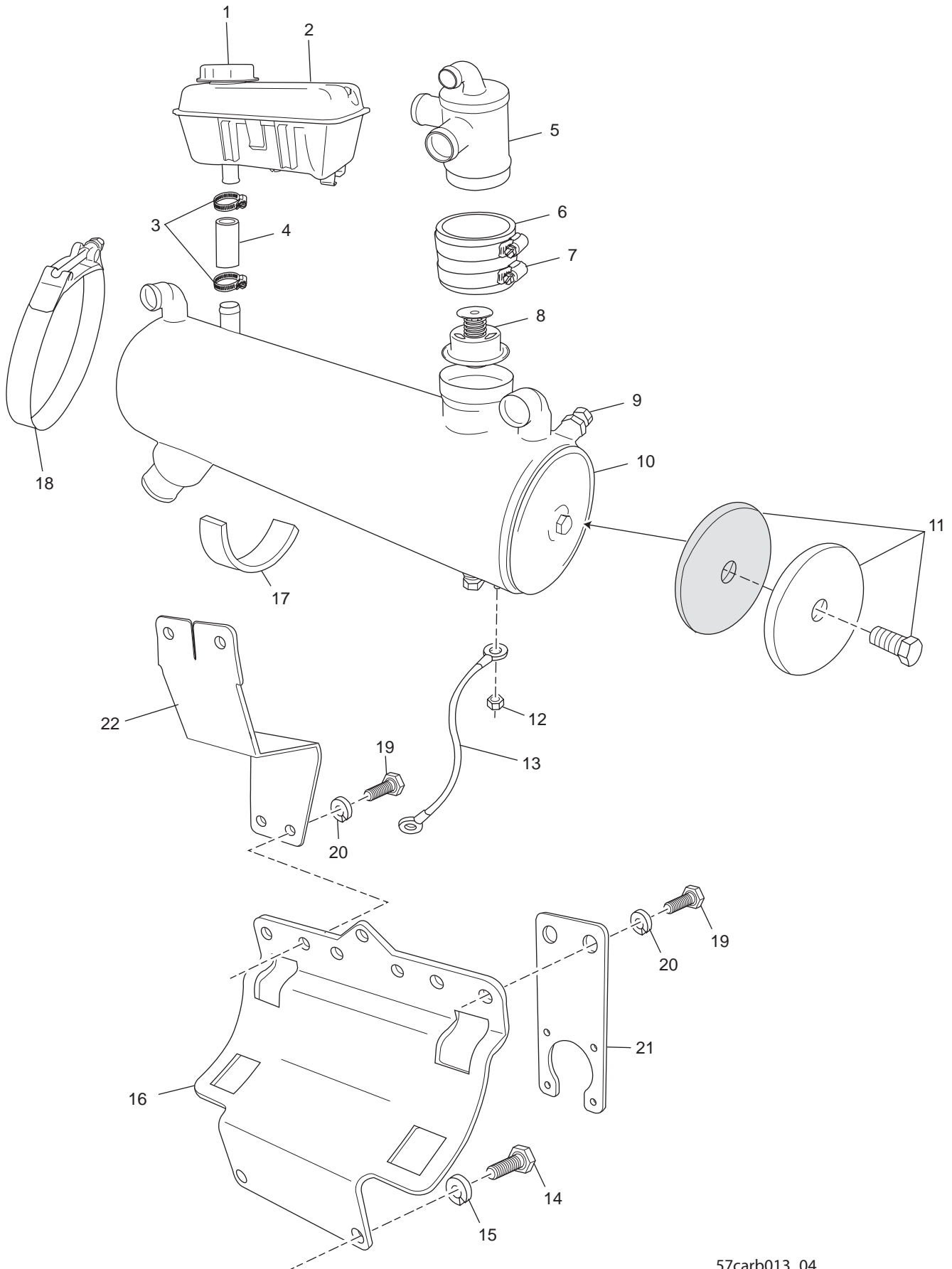


57carb013

HEAT EXCHANGER and COMPONENTS (Thru '03) - FIGURE 24

ITEM	PART NUMBER	DESCRIPTION	QUANTITY
1	R171009	Clamp , exchanger mounting	2
2	R094041	Isolator , top	2
3	R034006A	Cap , coolant fill, heat exchanger, 7 lb.	1
NI	R143145	Decal , fill cap	1
3	RK034006A	Fill Cap W/Decal	1
4	23627	Decal , exchanger	1
5	22847	Decal , exchanger	1
6	23657	Decal , exchanger	1
7	R168008	Zinc , sacrificial	1
8	98619	Heat Exchanger Assembly	1
9	22164	End Cap Kit , exchanger	AR
10	R045162	Hose , t-stat housing to heat exchanger	1
11	RS3860	Clamp , hose	2
12	R026007	Thermostat , (170 degree)	1
13	RS1078	Nut , w/lockwasher, ground wire stud	1
14	R101013	Wire , grounding	1
15	R146002	Bottle , coolant overflow	1
16	23527	Cap , coolant overflow bottle	1
17	RS0280	Bolt , coolant overflow mounting (3/4")	2
18	RS2179	Lockwasher , mounting bolt	2
19	92200000	Washer , mounting bolt	2
20	R045139	Hose , overflow	1
21	R090255	Bracket , heat exchanger (right hand)	1
21(NI)	R090254	Bracket , heat exchanger (left hand)	1
22	90368175	Bolt ,heat exchanger bracket (long)	2
23	RS2180	Lockwasher , heat exchanger bracket bolt	4
24	90368100	Bolt ,heat exchanger bracket (short)	2
25	R094040	Isolator , bottom	2
26	98202	Housing , thermostat, copper	1

HEAT EXCHANGER and COMPONENTS ('04) - FIGURE 25

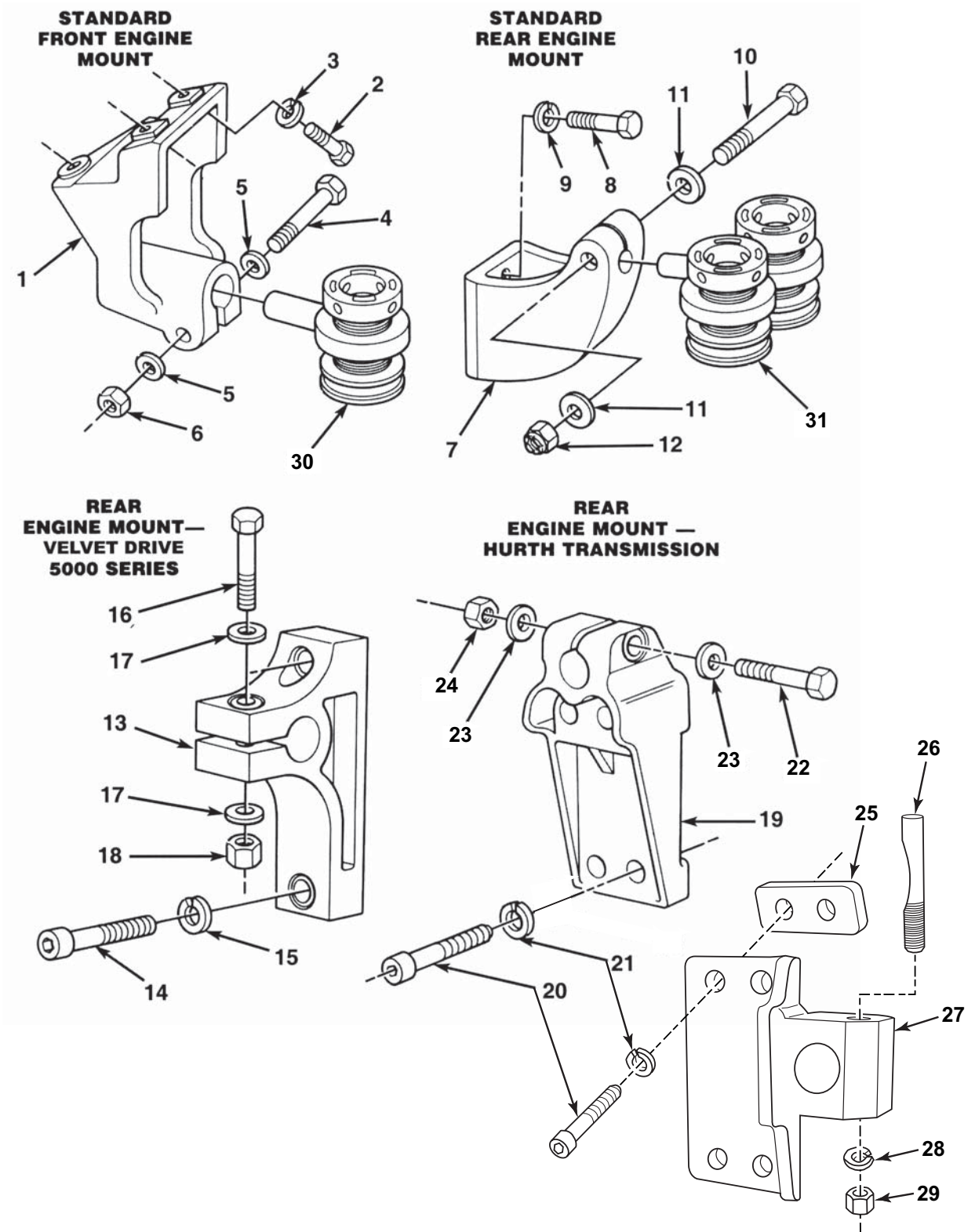


57carb013_04

HEAT EXCHANGER and COMPONENTS ('04) - FIGURE 25

ITEM	PART NUMBER	DESCRIPTION	QUANTITY
1	R034045	Cap , degas bottle	1
2	R146001	Bottle , degas	1
NI	R143171	Decal , spec 5.7L carburetor	1
NI	R143153	Decal , coolant fill	1
3	RS3872	Clamp , hose	2
4	R045153	Hose , degas bottle to heat exchanger	1
5	R025037	Housing , thermostat	1
6	R045162	Hose , thermostat housing to heat exchanger	1
7	RS3860	Clamp , hose	2
8	R026007	Thermostat , 170 degree	1
9	R168005	Anode , sacrificial zinc	AR
10	RA147048	Heat Exchanger Assembly	1
11	23540	End Cap Kit , exchanger	AR
12	RS1078	Nut , ground wire stud	1
13	R101013	Wire , grounding	1
14	90368100	Bolt , heat exchanger bracket attaching	2
15	RS2180	Lockwasher , mounting bolt	2
16	R090258	Bracket , heat exchanger	1
17	R094040	Isolator , rubber, w/adhesive	2
17	R094041	Isolator , rubber	2
18	R171009	Clamp , exchanger mounting	2
19	RS0280	Bolt , bracket attaching	4
20	RS2179	Lockwasher , bracket attaching	4
21	R090291	Bracket , 10-pin connector	1
22	R090311	Bracket , degas bottle	1

ENGINE and TRANSMISSION MOUNTS - FIGURE 26

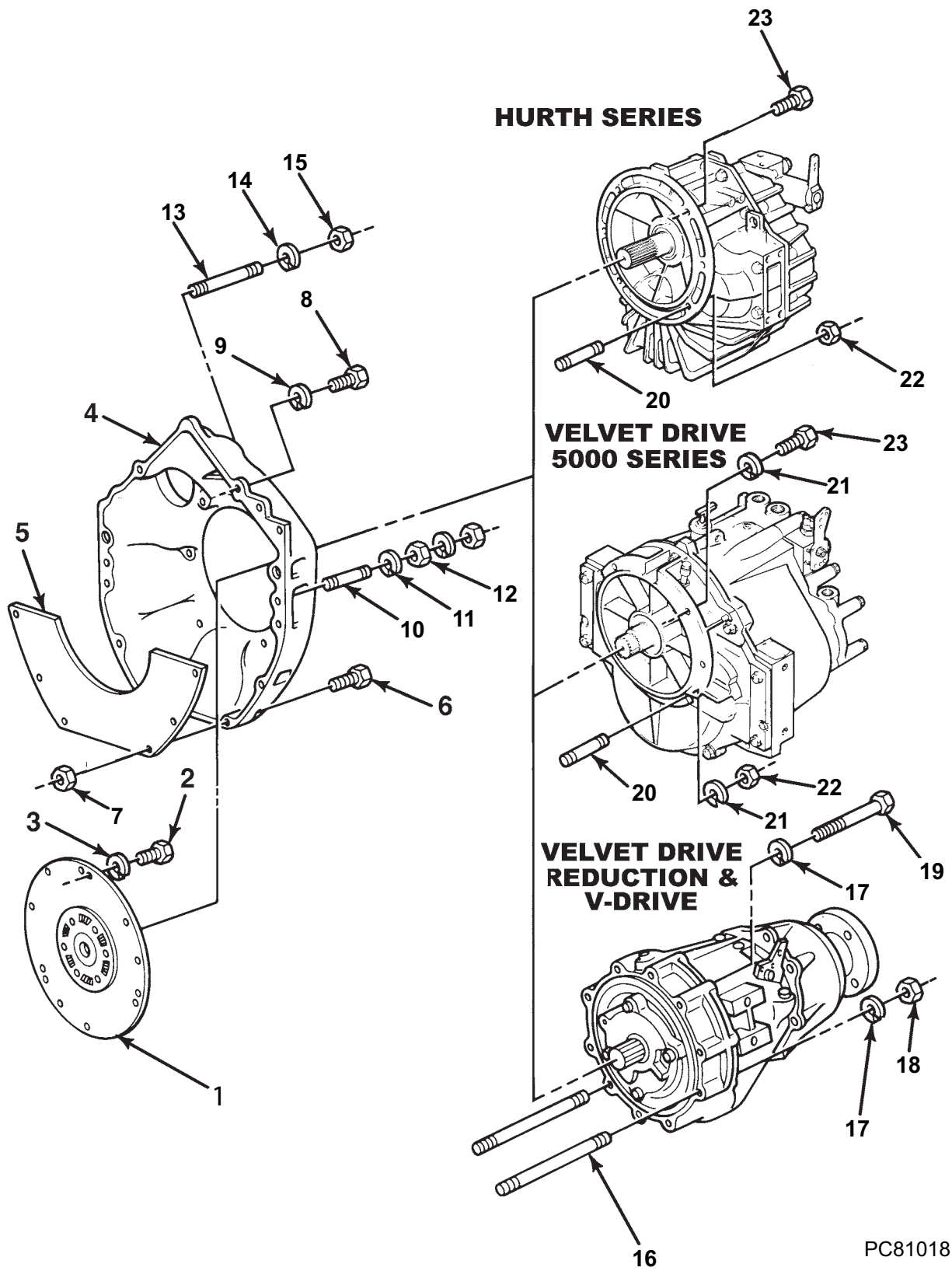


PC81017

ENGINE and TRANSMISSION MOUNTS - FIGURE 26

ITEM	PART NUMBER	DESCRIPTION	QUANTITY
		Standard Front Engine Mount	
1	97938	Bracket , engine mounting (front)	2
2	RS0305	Bolt , socket head	4
2	RS3442	Stud	2
N.S.	RS1028	Nut , attaching	2
3	RS2180	Lockwasher , bracket mounting bolt	6
4	90318225	Bolt , trunnion shaft (2 1/4")	2
5	92300000	Washer , trunnion bolt	4
6	95310300	Nut , trunnion bolt - locking	2
		Standard Rear Engine Mount	
7	97917	Bracket , engine mounting (Rear)	2
8	RS0328	Bolt , bracket to transmission (1 1/4")	4
9	RS2181	Lockwasher , bracket mounting bolt	4
10	90318325	Bolt , trunnion shaft (3 1/4")	2
11	92300000	Washer , trunnion bolt	4
12	95310300	Nut , trunnion bolt - locking	2
		Rear Engine Mount - Velvet Drive 5000 Series	
13	98224	Bracket , transmission mounting (Starboard)	1
13	98225	Bracket , transmission mounting (Port)	1
14	RS6336	Bolt , bracket to transmission (12 mm x 60 mm)	4
15	RS7071	Lockwasher (12 mm)	4
16	90318325	Bolt , trunnion shaft (3 1/4")	2
17	92300000	Washer , trunnion bolt	4
18	95310300	Nut , trunnion bolt - locking	2
		Rear Engine Mount - Hurth Transmission	
19	R090174A	Bracket , engine mounting (rear)	2
20	RS6331	Bolt , bracket to transmission (12 mm x 35 mm)	4
20	RS6336	Bolt , bracket to transmission (12 mm x 60 mm)	4
21	RS7071	Lockwasher (12 mm)	8
22	90318325	Bolt , trunnion shaft (3 1/4")	2
23	92300000	Washer , trunnion bolt	4
24	95310300	Nut , trunnion bolt - locking	2
25	R109049	Spacer , bracket to transmission	2
26	R095020	Bolt , trunnion shaft	2
27	R090217	Bracket , engine mounting (port)	1
27	R090218	Bracket , engine mounting (starboard)	1
28	RS2181	Lockwasher , trunnion bolt	2
29	RS1529	Nut , trunnion bolt - locking	2
		Mount Supports	
30	97926	Mount , engine support (single front)	2
31	97905	Mount , engine support (dual rear)	2

BELL HOUSING ASSEMBLY - FIGURE 27

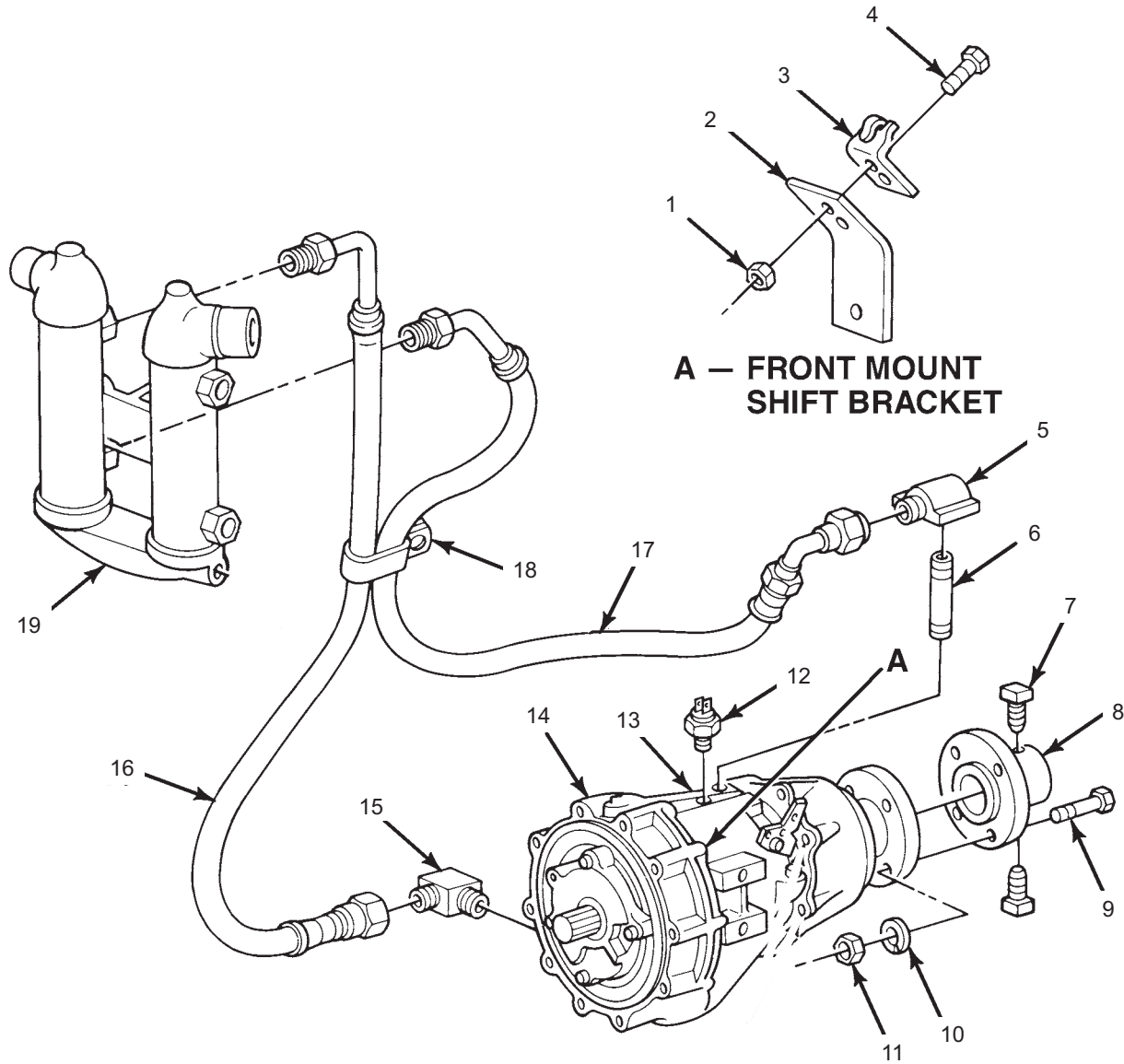


PC81018

BELL HOUSING ASSEMBLY - FIGURE 27

ITEM	PART NUMBER	DESCRIPTION	QUANTITY
1	R140019	Drive Damper Assembly , (Hurth - LH Only)	1
1	98511	Drive Damper Assembly , (71C/72C - All RH rotation)	1
2	R009092	Bolt , damper to flywheel (1")	6
3	RS2180	Lockwasher , damper bolt	6
4	R142014	Bellhousing , flywheel	1
5	R019008	Cover , bellhousing (use w/top mount starter)	1
5	R019008A	Cover , bellhousing (use w/bottom mount starter)	1
NI	R019010	Cover , top mount starter (used w/R019008A)	1
NI	RS0327	Bolt , dust cover attaching	2
NI	RS2181	Lockwasher , dust cover attaching	2
6	RS0256	Bolt , cover to bellhousing (1")	5
6	90105125	Bolt , cover to bellhousing (1 1/4")	1
7	RS1078	Nut , cover bolt	6
8	RS0305	Bolt , bellhousing to block	2
8	99443030	Bolt , SHCS (behind starter)	1
9	RS2180	Lockwasher , bellhousing bolt	2
10	R031033	Stud , bellhousing mounting	2
11	RS2180	Lockwasher , mounting stud	4
12	RS1028	Nut , mounting stud	4
13	R031033	Stud , starter mounting (1 5/8")	2
14	RS2181	Lockwasher , starter mounting stud	2
15	RS1029	Nut , starter mounting stud	2
		Velvet Drive Reduction & "V"-Drive	
16	96541	Stud , transmission mounting (4")	2
17	RS2181	Lockwasher , transmission mounting	6
18	RS1029	Nut , transmission mounting stud	2
19	RS0337	Bolt , transmission mounting	4
		Velvet Drive 5000 & Hurth Gears	
20	R031018	Stud , transmission mounting (1 5/8")	2
21	RS2180	Lockwasher , transmission mounting	6
22	RS1029	Nut , transmission mounting stud	2
23	RS0329	Bolt , transmission mounting	4

TRANSMISSION AND RELATED COMPONENTS (Thru '03) (VELVET DRIVE IN-LINE) -
FIGURE 28



57carb016

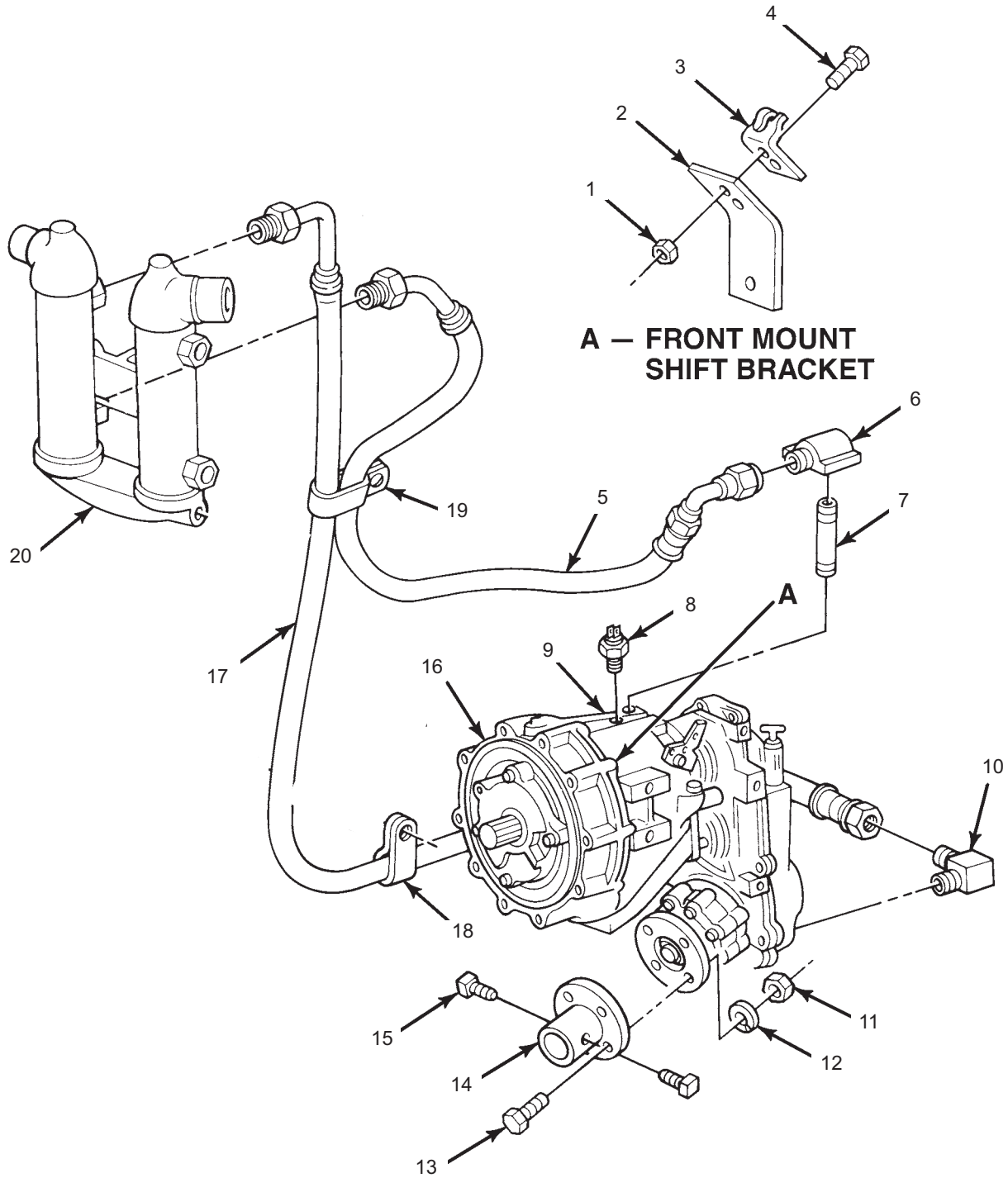
TRANSMISSION AND RELATED COMPONENTS (Thru '03) (VELVET DRIVE IN-LINE) -
FIGURE 28

ITEM	PART NUMBER	DESCRIPTION	QUANTITY
1	RS2055	Nut , attaching bolt	2
2	96341	Shift Bracket (front mount)	1
3	R090086	Cable Clip , single cable	1
N.I.	22232	Cable Clip , dual cable clip (not shown)	OPT
4	RS5122	Bolt , clip attaching (1/2")	2
5	R024008	Elbow , hose - transmission (90 degree)	1
6	RS4674	Nipple , pipe (3")	1
7	2000090	Screw , set - coupler	2
8	R148001	Coupler , prop shaft (1" shaft)	OPT
8	R148002	Coupler , prop shaft (1 1/8" shaft)	OPT
8	R148003	Coupler , prop shaft (1 1/4" shaft)	OPT
8	R148004	Coupler , prop shaft (1 3/8" shaft)	OPT
8	R148005	Coupler , prop shaft (1 1/2" shaft)	OPT
8	R148007	Coupler , prop shaft (1 3/4" shaft)	OPT
8	R148008	Coupler , prop shaft (2" shaft)	OPT
9	22136	Bolt , coupling (1 1/2")	4
10	RS2181	Lockwasher , coupling bolt	4
11	RS1529	Nut , coupling bolt	4
12	R020037	Sender , temperature alarm	1
13	R153002	Switch Kit , neutral start (not shown)	1
13A	25542	Switch & O-Ring Assembly (not shown)	1
14	RA157001	Transmission (71C, 1:1 Direct Drive)	1
14	RA157002	Transmission (71C, 1.52:1 Reduction)	1
14	RA157003	Transmission (72C, 1:1 Direct Drive)	1
14	RA157004	Transmission (72C, 1.52:1 Reduction)	1
14	RA157004A	Transmission (1.88:1 Reduction)	1
14	RA157004D	Transmission (2.57:1 Reduction)	1
14	RA157004E	Transmission (2.91:1 Reduction)	1
15	R024010	Elbow , hose - transmission (90 degree)	1
16	18200	Hose Assembly , cooler to transmission	1
17	18201	Hose Assembly , transmission to cooler	1
18	R127099	Clamp , strap	1
19	98570	U-Cooler Assembly , transmission and engine oil	1

TRANSMISSION AND RELATED COMPONENTS ('04) (VELVET DRIVE IN-LINE) -
FIGURE 29

ITEM	PART NUMBER	DESCRIPTION	QUANTITY
1	RS2055	Nut , attaching bolt	2
2	96341	Shift Bracket (front mount)	1
3	R090086	Cable Clip , single cable	1
N.I.	22232	Cable Clip , dual cable clip (not shown)	OPT
4	RS5122	Bolt , clip attaching (1/2")	2
5	R024008	Elbow , hose - transmission (90 degree)	1
6	RS4674	Nipple , pipe (3")	1
7	2000090	Screw , set - coupler	2
8	R148001	Coupler , prop shaft (1" shaft)	OPT
8	R148002	Coupler , prop shaft (1 1/8" shaft)	OPT
8	R148003	Coupler , prop shaft (1 1/4" shaft)	OPT
8	R148004	Coupler , prop shaft (1 3/8" shaft)	OPT
8	R148005	Coupler , prop shaft (1 1/2" shaft)	OPT
8	R148007	Coupler , prop shaft (1 3/4" shaft)	OPT
8	R148008	Coupler , prop shaft (2" shaft)	OPT
9	22136	Bolt , coupling (1 1/2")	4
10	RS2181	Lockwasher , coupling bolt	4
11	RS1529	Nut , coupling bolt	4
12	R020037	Sender , temperature alarm	1
13	R153002	Switch Kit , neutral start (not shown)	1
13A	25542	Switch & O-Ring Assembly (not shown)	1
14	RA157003	Transmission (1:1 Direct Drive)	1
14	RA157004	Transmission (1.52:1 Reduction)	1
14	RA157004A	Transmission (1.88:1 Reduction)	1
14	RA157004D	Transmission (2.57:1 Reduction)	1
14	RA157004E	Transmission (2.91:1 Reduction)	1
15	R024010	Elbow , hose - transmission (90 degree)	1
16	18200	Hose Assembly , cooler to transmission	1
17	18201	Hose Assembly , transmission to cooler	1
18	R024010	Fitting , 90 degree	2
19	R147006	Cooler Assembly , transmission oil	1
20	RS1028	Nut , cooler bracket attaching	1
21	RS2180	Lockwasher , cooler bracket attaching	1
22	RS0256	Bolt , cooler bracket attaching	1
23	RS0302	Bolt , cooler bracket attaching	1
24	R090010	Bracket , transmission cooler mounting	1
25	RS2058	Nut , cooler bracket attaching	1
26	R090304	Bracket , transmission cooler attaching	1
27	RS2180	Lockwasher , cooler bracket mounting	1
28	RS0316	Bolt , cooler bracket mounting (exhaust manifold bolt)	1

TRANSMISSION AND RELATED COMPONENTS (Thru '03) (VELVET DRIVE "V"-DRIVE) -
FIGURE 30

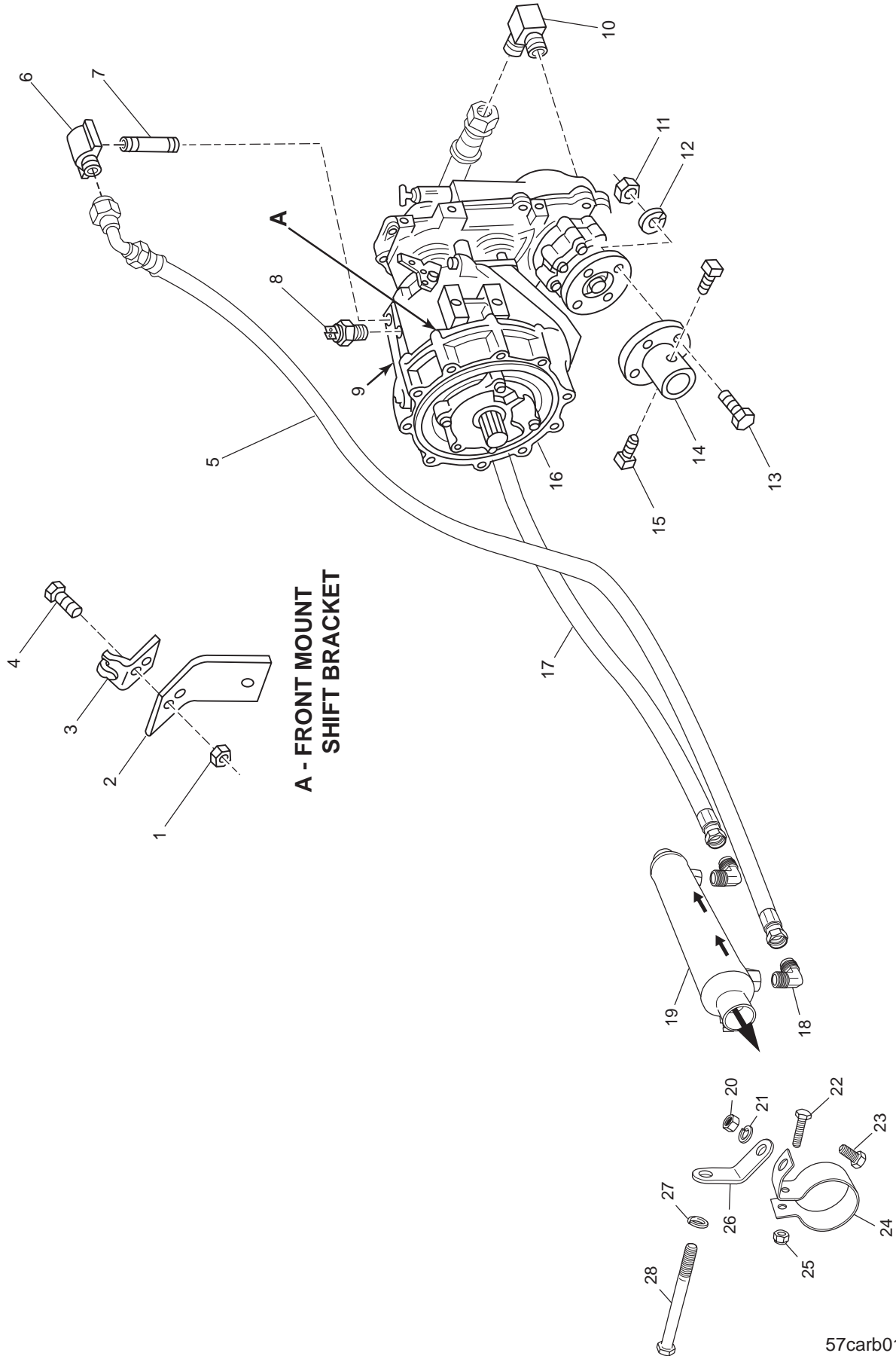


57carb017

TRANSMISSION AND RELATED COMPONENTS (Thru '03) (VELVET DRIVE "V"-DRIVE) -
FIGURE 30

ITEM	PART NUMBER	DESCRIPTION	QUANTITY
1	RS2055	Nut , attaching bolt	2
2	96341	Shift Bracket (front mount)	1
3	R090086	Cable Clip , single cable	1
3	22232	Cable Clip , dual cable clip (not shown)	OPT
4	RS5122	Bolt , clip attaching (1/2")	2
5	18201	Hose Assembly , transmission to cooler	1
6	R024008	Elbow , hose - transmission (90 degree)	1
7	RS4674	Nipple , pipe (3")	1
8	R020037	Sender , temperature alarm	1
9	R153002	Switch Kit , neutral start (not shown)	1
N.I.	25542	Switch & O-Ring Assembly (not shown)	1
10	R024010	Elbow , hose - transmission (90 degree)	1
11	RS1529	Nut , coupling bolt	4
12	RS2181	Lockwasher , coupling bolt	4
13	22136	Bolt , coupling (1 1/2")	4
14	R148001	Coupler , prop shaft (1" shaft)	OPT
14	R148002	Coupler , prop shaft (1 1/8" shaft)	OPT
14	R148003	Coupler , prop shaft (1 1/4" shaft)	OPT
14	R148004	Coupler , prop shaft (1 3/8" shaft)	OPT
14	R148005	Coupler , prop shaft (1 1/2" shaft)	OPT
14	R148007	Coupler , prop shaft (1 3/4" shaft)	OPT
14	R148008	Coupler , prop shaft (2" shaft)	OPT
15	2000090	Screw , set - coupler	2
16	RA156002B	Transmission (1.51:1 Reduction)	1
16	RA156002D	Transmission (1.99:1 Reduction)	1
16	RA156002E	Transmission (2.49:1 Reduction)	1
17	18201	Hose Assembly , cooler to transmission	1
18	20247	Clamp , strap	1
19	R127099	Clamp , strap	1
20	98570	U-Cooler Assembly , transmission and engine oil	1

TRANSMISSION AND RELATED COMPONENTS ('04) (VELVET DRIVE "V"-DRIVE) -
FIGURE 31



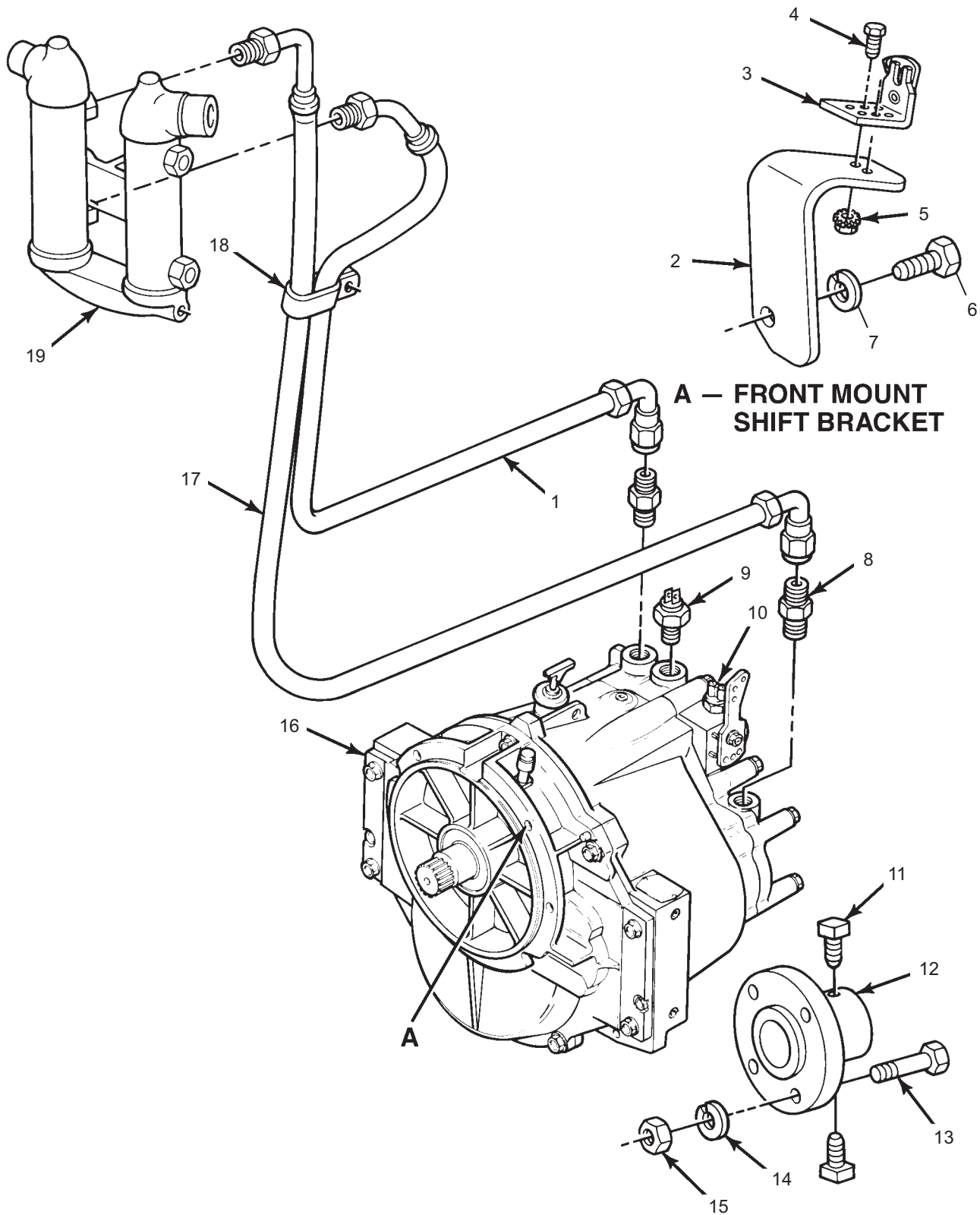
**A - FRONT MOUNT
SHIFT BRACKET**

57carb017_04

TRANSMISSION AND RELATED COMPONENTS ('04) (VELVET DRIVE "V"-DRIVE) -
FIGURE 31

ITEM	PART NUMBER	DESCRIPTION	QUANTITY
1	RS2055	Nut , attaching bolt	2
2	96341	Shift Bracket (front mount)	1
3	R090086	Cable Clip , single cable	1
3	22232	Cable Clip , dual cable clip (not shown)	OPT
4	RS5122	Bolt , clip attaching (1/2")	2
5	18201	Hose Assembly , transmission to cooler	1
6	R024008	Elbow , hose - transmission (90 degree)	1
7	RS4674	Nipple , pipe (3")	1
8	R020037	Sender , temperature alarm	1
9	R153002	Switch Kit , neutral start (not shown)	1
N.I.	25542	Switch & O-Ring Assembly (not shown)	1
10	R024010	Elbow , hose - transmission (90 degree)	1
11	RS1529	Nut , coupling bolt	4
12	RS2181	Lockwasher , coupling bolt	4
13	22136	Bolt , coupling (1 1/2")	4
14	R148001	Coupler , prop shaft (1" shaft)	OPT
14	R148002	Coupler , prop shaft (1 1/8" shaft)	OPT
14	R148003	Coupler , prop shaft (1 1/4" shaft)	OPT
14	R148004	Coupler , prop shaft (1 3/8" shaft)	OPT
14	R148005	Coupler , prop shaft (1 1/2" shaft)	OPT
14	R148007	Coupler , prop shaft (1 3/4" shaft)	OPT
14	R148008	Coupler , prop shaft (2" shaft)	OPT
15	2000090	Screw , set - coupler	2
16	RA156002B	Transmission (1.51:1 Reduction)	1
16	RA156002D	Transmission (1.99:1 Reduction)	1
16	RA156002E	Transmission (2.49:1 Reduction)	1
17	18201	Hose Assembly , cooler to transmission	1
18	R024010	Fitting , 90 degree	2
19	R147006	Cooler Assembly , transmission oil	1
20	RS1028	Nut , cooler bracket attaching	1
21	RS2180	Lockwasher , cooler bracket attaching	1
22	RS0256	Bolt , cooler bracket attaching	1
23	RS0302	Bolt , cooler bracket attaching	1
24	R090010	Bracket , transmission cooler mounting	1
25	RS2058	Nut , cooler bracket attaching	1
26	R090304	Bracket , transmission cooler attaching	1
27	RS2180	Lockwasher , cooler bracket mounting	1
28	RS0316	Bolt , cooler bracket mounting (exhaust manifold bolt)	1

TRANSMISSION AND RELATED COMPONENTS (Thru '03) (VELVET DRIVE 5000) - FIGURE 32

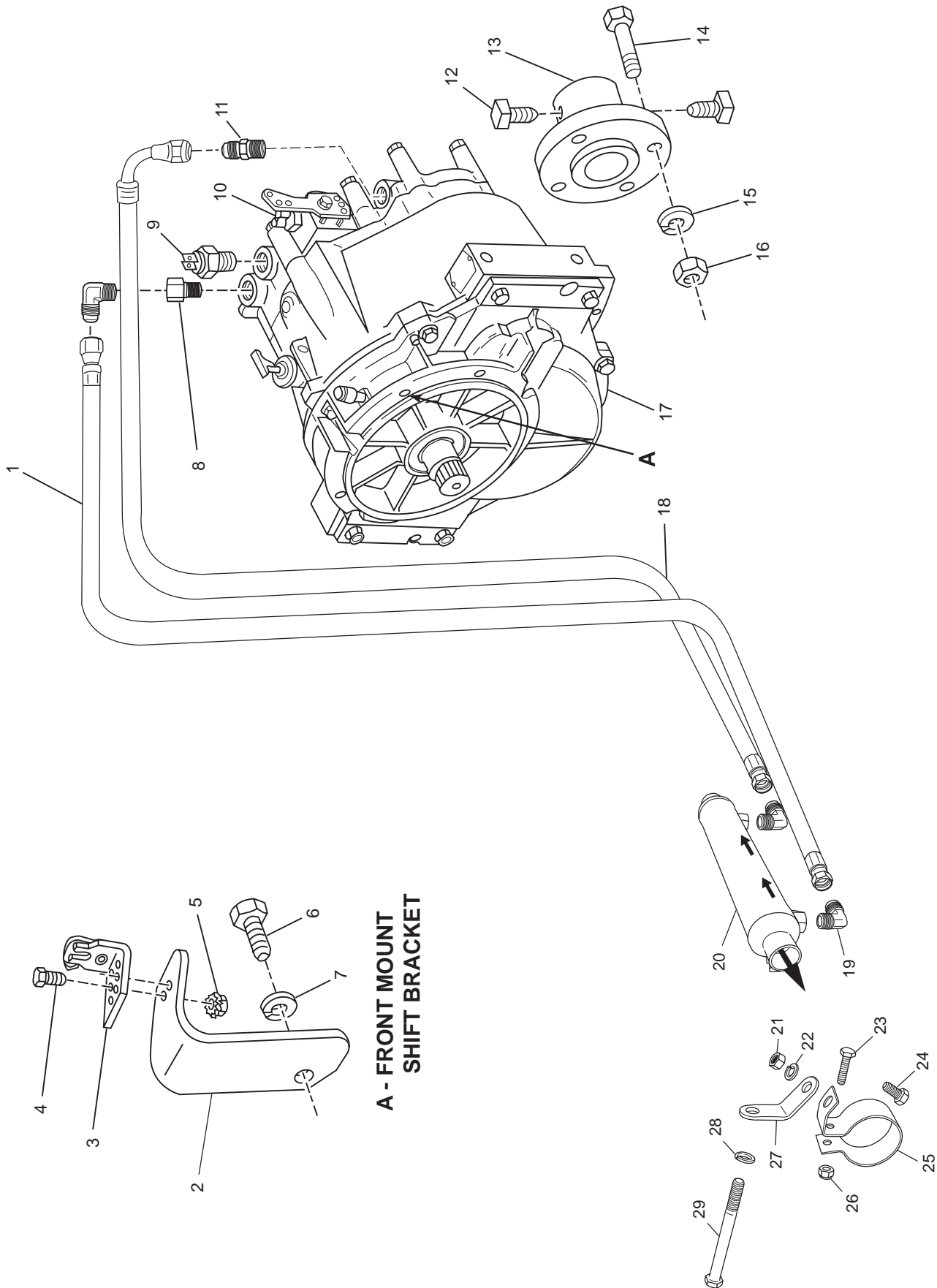


57carb018

TRANSMISSION AND RELATED COMPONENTS (Thru '03) (VELVET DRIVE 5000) - FIGURE 32

ITEM	PART NUMBER	DESCRIPTION	QUANTITY
1	18201	Hose Assembly , transmission to cooler	1
2	98227	Shift Bracket , (front entry)	1
3	R090086	Cable Clip , single cable	1
3	22232	Cable Clip , dual cable clip (not shown)	OPT
4	RS5122	Bolt , clip attaching (1/2")	2
5	RS2055	Nut , attaching bolt	2
6	RS0329	Bolt , shift bracket attaching	2
7	RS2180	Washer , shift bracket attaching bolt	2
8	30603	Fitting , adapter	1
9	R020037	Sender , temperature alarm	1
10	25542	Switch & O-Ring Assembly (not shown)	1
11	2000090	Screw , set - coupler	2
12	R148001	Coupler , prop shaft (1" shaft)	OPT
12	R148002	Coupler , prop shaft (1 1/8" shaft)	OPT
12	R148003	Coupler , prop shaft (1 1/4" shaft)	OPT
12	R148004	Coupler , prop shaft (1 3/8" shaft)	OPT
12	R148005	Coupler , prop shaft (1 1/2" shaft)	OPT
12	R148007	Coupler , prop shaft (1 3/4" shaft)	OPT
12	R148008	Coupler , prop shaft (2" shaft)	OPT
13	22136	Bolt , coupling (1 1/2")	4
14	RS2181	Lockwasher , coupling bolt	4
15	RS1529	Nut , coupling bolt	4
16	RA157020B	Transmission (1.50:1 Reduction) Down Angle	1
16	RA157020C	Transmission (2:1 Reduction) Down Angle	1
16	RA157020D	Transmission (2.45:1 Reduction) Down Angle	1
16	RA157020E	Transmission (2.80:1 Reduction) Down Angle	1
16	RA156008	Transmission (1.25:1 Reduction) V-Drive	1
16	RA156008A	Transmission (1.50:1 Reduction) V-Drive	1
16	RA156008B	Transmission (2:1 Reduction) V-Drive	1
16	RA156008C	Transmission (2.50:1 Reduction) V-Drive	1
17	18200	Hose Assembly , cooler to transmission	1
18	R127099	Clamp , strap	1
19	98570	U-Cooler Assembly , transmission and engine oil	1

TRANSMISSION AND RELATED COMPONENTS ('04) (VELVET DRIVE 5000) - FIGURE 33



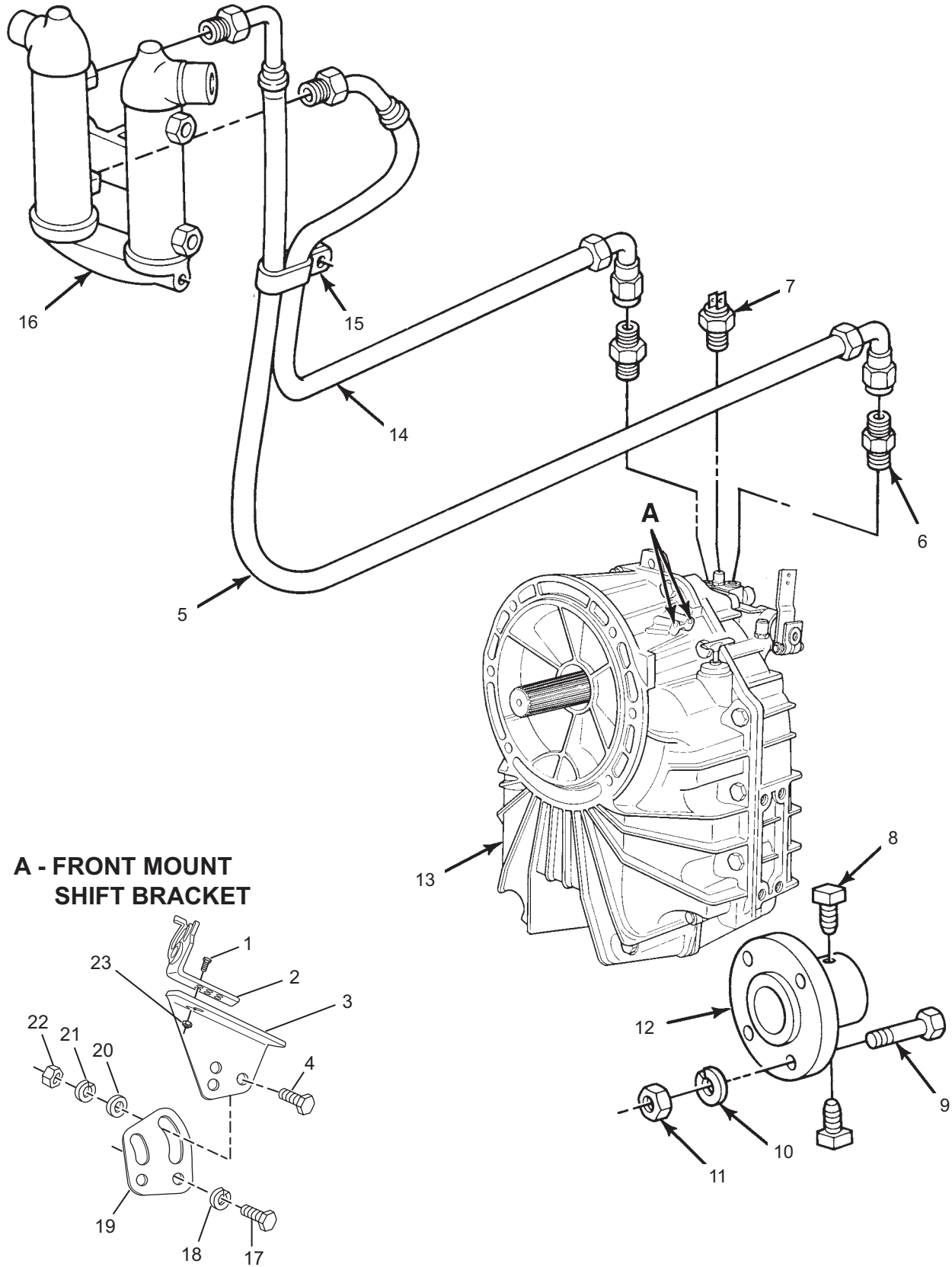
**A - FRONT MOUNT
SHIFT BRACKET**

57carb018_04

TRANSMISSION AND RELATED COMPONENTS ('04) (VELVET DRIVE 5000) - FIGURE 33

ITEM	PART NUMBER	DESCRIPTION	QUANTITY
1	18201	Hose Assembly , transmission to cooler	1
2	98227	Shift Bracket , (front entry)	1
3	R090086	Cable Clip , single cable	1
3	22232	Cable Clip , dual cable clip (not shown)	OPT
4	RS5122	Bolt , clip attaching (1/2")	2
5	RS2055	Nut , attaching bolt	2
6	RS0329	Bolt , shift bracket attaching	2
7	RS2180	Washer , shift bracket attaching bolt	2
8	R024196	Fitting , adapter	1
9	R020037	Sender , temperature alarm	1
10	25542	Switch & O-Ring Assembly (not shown)	1
11	30603	Fitting , adapter	1
12	2000090	Screw , set - coupler	2
13	R148001	Coupler , prop shaft (1" shaft)	OPT
13	R148002	Coupler , prop shaft (1 1/8" shaft)	OPT
13	R148003	Coupler , prop shaft (1 1/4" shaft)	OPT
13	R148004	Coupler , prop shaft (1 3/8" shaft)	OPT
13	R148005	Coupler , prop shaft (1 1/2" shaft)	OPT
13	R148007	Coupler , prop shaft (1 3/4" shaft)	OPT
13	R148008	Coupler , prop shaft (2" shaft)	OPT
14	22136	Bolt , coupling (1 1/2")	4
15	RS2181	Lockwasher , coupling bolt	4
16	RS1529	Nut , coupling bolt	4
17	RA157020B	Transmission (1.50:1 Reduction) Down Angle	1
17	RA157020C	Transmission (2:1 Reduction) Down Angle	1
17	RA157020D	Transmission (2.45:1 Reduction) Down Angle	1
17	RA157020E	Transmission (2.80:1 Reduction) Down Angle	1
17	RA156008	Transmission (1.25:1 Reduction) V-Drive	1
17	RA156008A	Transmission (1.50:1 Reduction) V-Drive	1
17	RA156008B	Transmission (2:1 Reduction) V-Drive	1
17	RA156008C	Transmission (2.50:1 Reduction) V-Drive	1
18	18200	Hose Assembly , cooler to transmission	1
19	R024010	Fitting , 90 degree	2
20	R147006	Cooler Assembly , transmission oil	1
21	RS1028	Nut , cooler bracket attaching	1
22	RS2180	Lockwasher , cooler bracket attaching	1
23	RS0256	Bolt , cooler bracket attaching	1
24	RS0302	Bolt , cooler bracket attaching	1
25	R090010	Bracket , transmission cooler mounting	1
26	RS2058	Nut , cooler bracket attaching	1
27	R090304	Bracket , transmission cooler attaching	1
28	RS2180	Lockwasher , cooler bracket mounting	1
29	RS0316	Bolt , cooler bracket mounting (exhaust manifold bolt)	1

TRANSMISSION AND RELATED COMPONENTS (Thru '03) (HURTH GEAR) - FIGURE 34

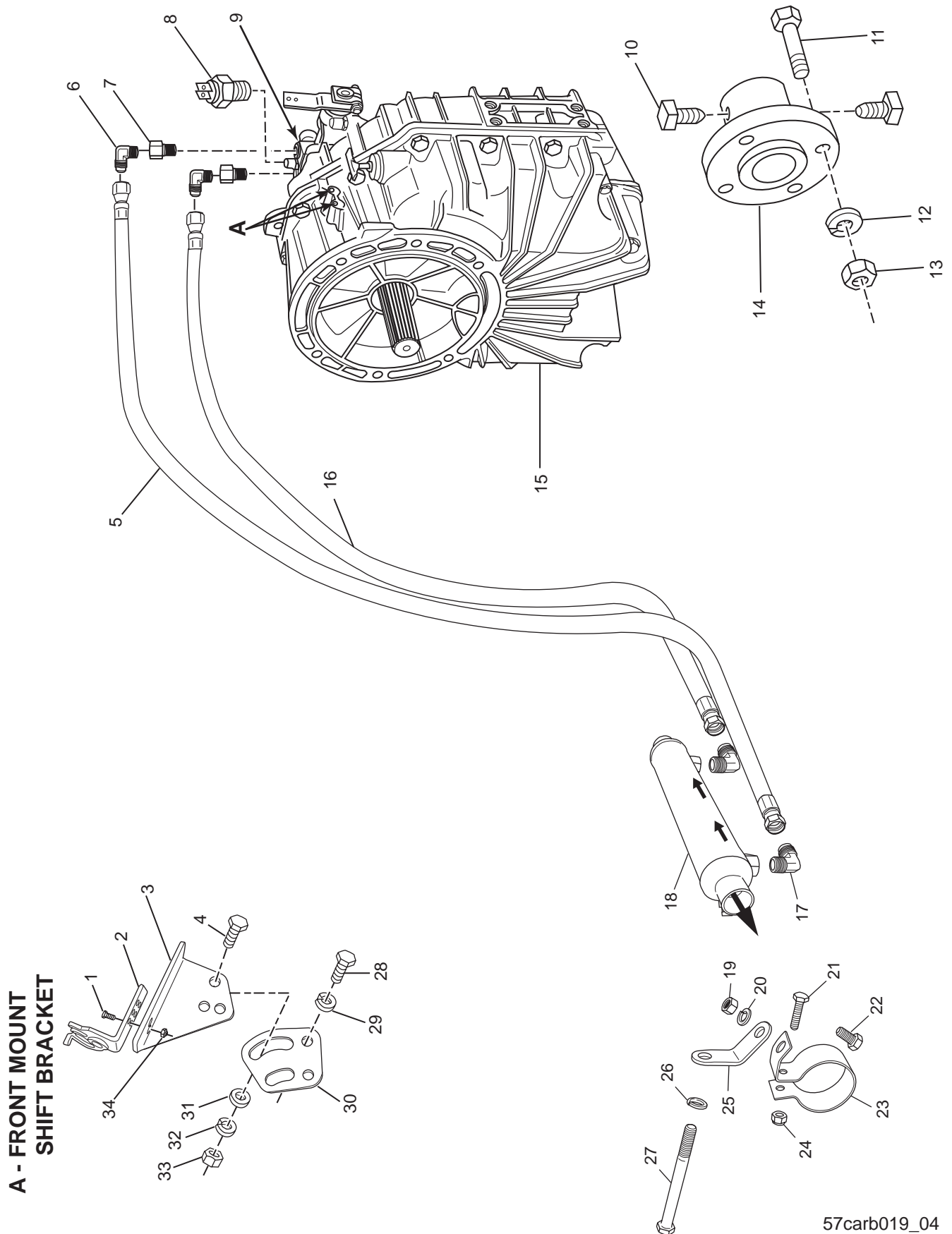


57carb019

TRANSMISSION AND RELATED COMPONENTS (Thru '03) (HURTH GEAR) - FIGURE 34

ITEM	PART NUMBER	DESCRIPTION	QUANTITY
1	RS5122	Bolt , cable clip attaching	2
2	R090086	Cable Clip , single cable	1
2	22232	Cable Clip , dual cable clip (not shown)	OPT
3	R090202	Shift Bracket , cable clip attaching	1
4	RS0282	Bolt , shift bracket attaching	2
5	18200	Hose Assembly , transmission to cooler	1
6	30603	Fitting , adapter	2
7	R020037	Sender , temperature alarm	1
N.I.	25542	Switch & O-Ring Assembly (not shown)	1
8	2000090	Screw , set - coupler	2
9	90418138	Bolt , coupling (1 3/8")	4
10	RS2181	Lockwasher , coupling bolt	4
11	RS1529	Nut , coupling bolt	4
12	R148001	Coupler , prop shaft (1" shaft)	OPT
12	R148002	Coupler , prop shaft (1 1/8" shaft)	OPT
12	R148003	Coupler , prop shaft (1 1/4" shaft)	OPT
12	R148004	Coupler , prop shaft (1 3/8" shaft)	OPT
12	R148005	Coupler , prop shaft (1 1/2" shaft)	OPT
12	R148007	Coupler , prop shaft (1 3/4" shaft)	OPT
12	R148008	Coupler , prop shaft (2" shaft)	OPT
13	RA157022	Transmission 630A (1.22:1 Reduction)	1
13	RA157022A	Transmission 630A (1.55:1 Reduction)	1
13	RA157022B	Transmission 630A (2.00:1 Reduction)	1
13	RA157022C	Transmission 630A (2.50:1 Reduction)	1
13	RA157022D	Transmission 630A (2.70:1 Reduction)	1
13	RA157023F	Transmission 800A (2.85:1 Reduction)	1
13	RA156009	Transmission 630V (1.29:1 Reduction)	1
13	RA156009A	Transmission 630V (1.50:1 Reduction)	1
13	RA156009B	Transmission 630V (2.00:1 Reduction)	1
13	RA156009C	Transmission 630V (2.50:1 Reduction)	1
14	18201	Hose Assembly , cooler to transmission	1
15	R127099	Clamp , strap	1
16	R147035	U-Cooler Assembly , transmission and engine oil	1
17	RS6529	Bolt , shift bracket attaching	2
18	93930000	Lockwasher , shift bracket attaching bolt	2
19	R090235	Bracket , shift	1
20	RS2674	Washer , shift bracket attaching bolt	2
21	RS2179	Lockwasher , attaching bolt	2
22	RS1027	Nut , shift bracket attaching bolt	2
23	RS2055	Nut , cable clip attaching bolt	2

TRANSMISSION AND RELATED COMPONENTS ('04) (HURTH GEAR) - FIGURE 35



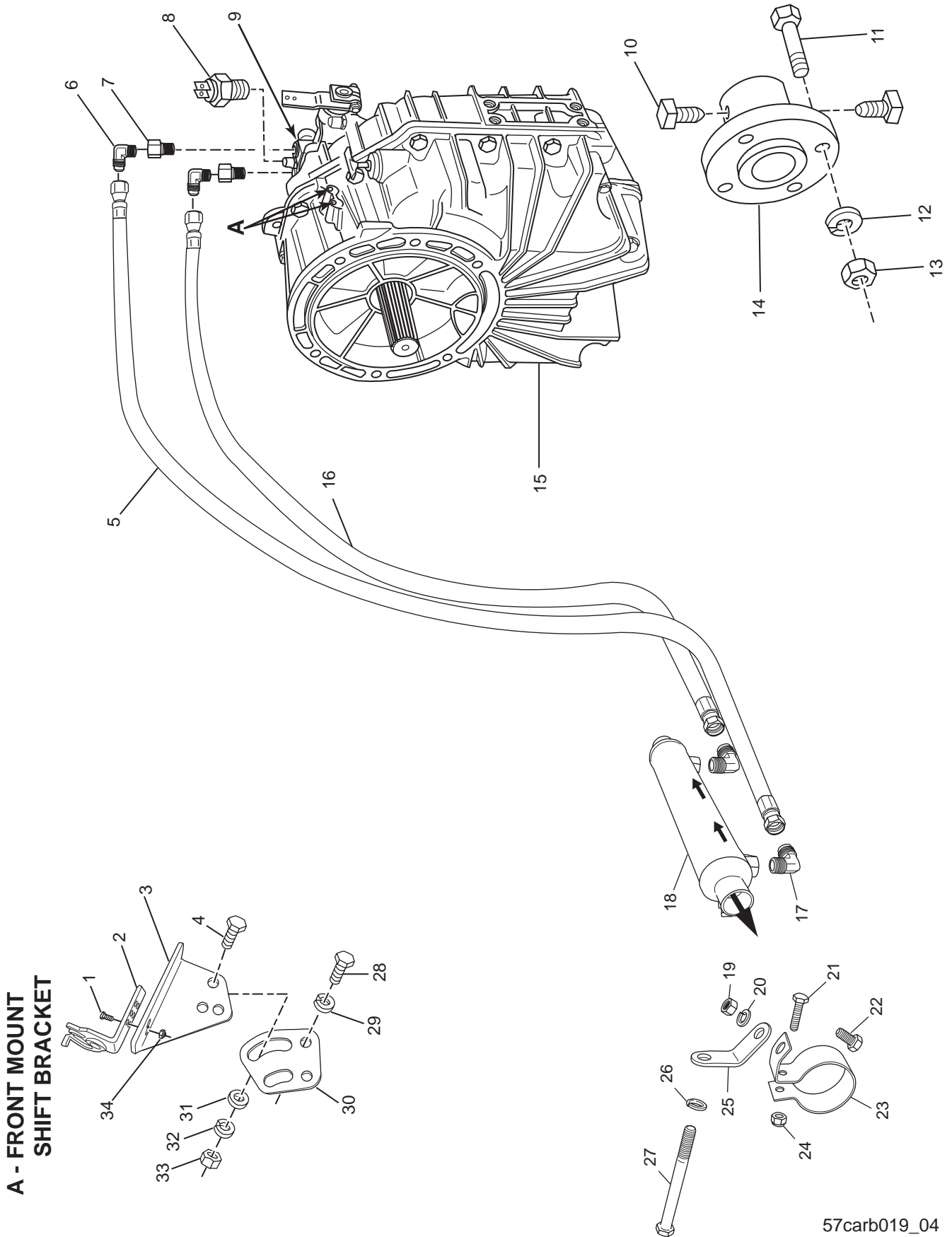
TRANSMISSION AND RELATED COMPONENTS ('04) (HURTH GEAR) - FIGURE 35

ITEM	PART NUMBER	DESCRIPTION	QUANTITY
1	RS5122	Bolt , cable clip attaching	2
2	R090086	Cable Clip , single cable	1
2	22232	Cable Clip , dual cable clip (not shown)	OPT
3	R090202	Shift Bracket , cable clip attaching	1
4	RS0282	Bolt , shift bracket attaching	2
5	RA045007N	Hose Assembly , transmission to cooler	1
6	R024010	Fitting , 90 degree	2
7	R024196	Fitting , adapter	2
8	R020037	Sender , temperature alarm	1
9	25542	Switch & O-Ring Assembly (not shown)	1
10	2000090	Screw , set - coupler	2
11	90418138	Bolt , coupling (1 3/8")	4
12	RS2181	Lockwasher , coupling bolt	4
13	RS1529	Nut , coupling bolt	4
14	R148001	Coupler , prop shaft (1" shaft)	OPT
14	R148002	Coupler , prop shaft (1 1/8" shaft)	OPT
14	R148003	Coupler , prop shaft (1 1/4" shaft)	OPT
14	R148004	Coupler , prop shaft (1 3/8" shaft)	OPT
14	R148005	Coupler , prop shaft (1 1/2" shaft)	OPT
14	R148007	Coupler , prop shaft (1 3/4" shaft)	OPT
14	R148008	Coupler , prop shaft (2" shaft)	OPT
15	RA157022	Transmission 630A (1.22:1 Reduction)	1
15	RA157022A	Transmission 630A (1.55:1 Reduction)	1
15	RA157022B	Transmission 630A (2.00:1 Reduction)	1
15	RA157022C	Transmission 630A (2.50:1 Reduction)	1
15	RA157022D	Transmission 630A (2.70:1 Reduction)	1
15	RA157023F	Transmission 800A (2.85:1 Reduction)	1
15	RA156009	Transmission 630V (1.29:1 Reduction)	1
15	RA156009A	Transmission 630V (1.50:1 Reduction)	1
15	RA156009B	Transmission 630V (2.00:1 Reduction)	1
15	RA156009C	Transmission 630V (2.50:1 Reduction)	1
16	RA045007T	Hose Assembly , cooler to transmission	1
17	R024010	Fitting , 90 degree	2
18	R147006	Cooler Assembly , transmission oil	1
19	RS1028	Nut , cooler bracket attaching	1
20	RS2180	Lockwasher , cooler bracket attaching	1

8° Down
Angle

V-Drive

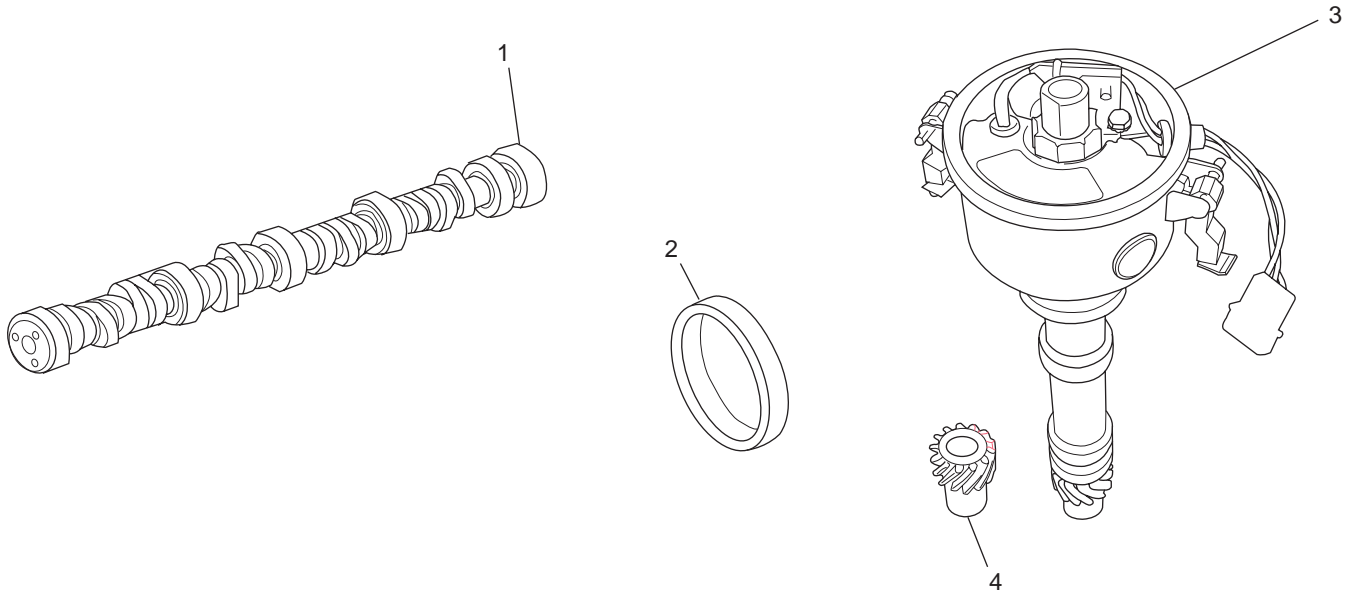
TRANSMISSION AND RELATED COMPONENTS ('04) (HURTH GEAR) - FIGURE 35(cont'd)



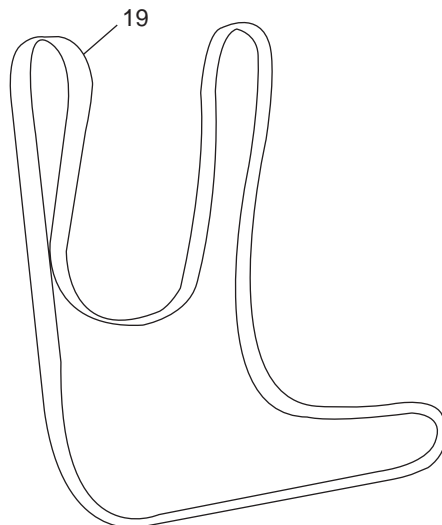
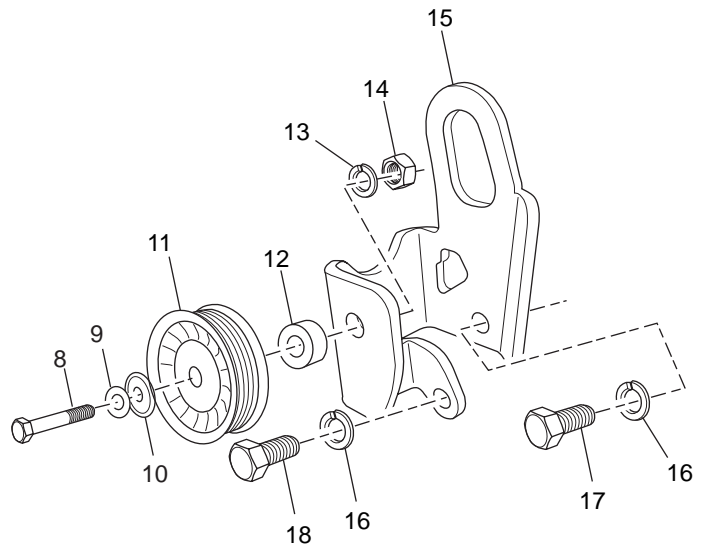
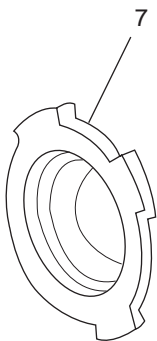
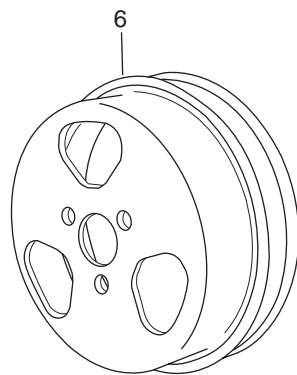
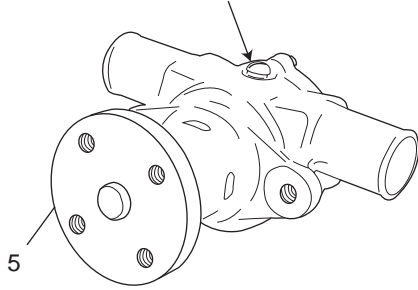
TRANSMISSION AND RELATED COMPONENTS ('04) (HURTH GEAR) - FIGURE 35 (cont'd)

ITEM	PART NUMBER	DESCRIPTION	QUANTITY
21	RS0256	Bolt , cooler bracket attaching	1
22	RS0302	Bolt , cooler bracket attaching	1
23	R090010	Bracket , transmission cooler mounting	1
24	RS2058	Nut , cooler bracket attaching	1
25	R090304	Bracket , transmission cooler attaching	1
26	RS2180	Lockwasher , cooler bracket mounting	1
27	RS0316	Bolt , cooler bracket mounting (exhaust manifold bolt)	1
28	RS6531	Bolt , shift bracket attaching	2
29	93930000	Lockwasher , shift bracket attaching bolt	2
30	R090235	Bracket , shift	1
31	RS2674	Washer , shift bracket attaching bolt	2
32	RS2179	Lockwasher , attaching bolt	2
33	RS1027	Nut , shift bracket attaching bolt	2
34	RS2055	Nut , cable clip attaching bolt	2
NI	RP077011	Kit , transmission oil filter (ZF)	AR

RIGHT HAND ROTATION ENGINE COMPONENTS - FIGURE 36



Same pump as left-hand rotation
Note: Pump is orientated with the screw facing UP - MY '99-'02



57carb020

RIGHT HAND ROTATION ENGINE COMPONENTS - FIGURE 36

ITEM	PART NUMBER	DESCRIPTION	QUANTITY
*	RB001005A	Base Engine Assembly (RH)	1
1	RA050022	Camshaft, engine (RH)	1
2	R047175	Seal, crankshaft rear oil (RH)	1
3	RA107042	Distributor Assembly (RH)	1
4	TBD	Gear, right hand (Dist. # RA107042)	1
5	RA057031	Raw Water Pump Assembly (SEE NOTE)	1
6	R065052A	Pulley, raw water pump (RH), '04	1
7	R056001A	Ring, Crankshaft Position Sensor Reluctor (RH)	1
8	98443050	Bolt, Idler Pulley attaching	1
9	92940000	Flat Washer, Idler Pulley attaching	1
10	R096145	Flat Washer, Idler Pulley attaching	1
11	R065054	Pulley, Idler	1
12	R062083	Spacer, Idler Pulley	1
13	93940000	Lock Washer, Idler Pulley attaching	1
14	L00908	Nut, Idler Pulley attaching	1
15	R090307	Bracket, Idler pulley 5.7 (RH)	1
16	RS2180	Lock Washer, Idler bracket attaching	2
17	RS0304	Bolt, Idler bracket attaching, upper	1
18	RS0306	Bolt, Idler bracket attaching, lower	1
19	R066029A	Belt, serpentine drive, 5.7L (RH)	1